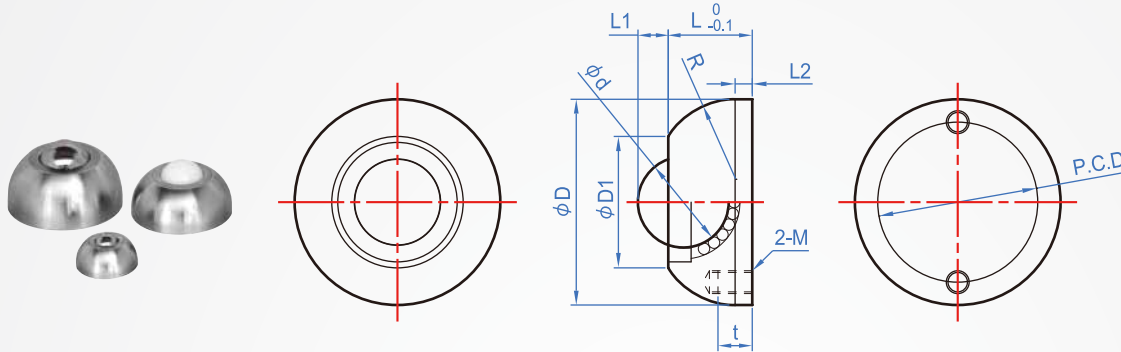


Semicircle structure type

BR861

Main part	Cover	Main ball	Auxiliary ball
SUS304	SUS304	SUS440C HRC55~ POM Resin	SUS440C HRC55~



How to order

BR861 - 22 -

TYPE D

Main ball chosen
 SUS440C.....
 POM.....



Unit : mm

D	D1	L	L1	L2	d	R	M	t	P.C.D	Load resistance (N)	
										SUS ball	Resin ball
22	14	9.5	2.5	2	8.73	10	M3	4.5	16	55	34
28	17.5	11.5	3.5	2.5	10.32	10.5				22	62
36	23	14.7	5.3	3	15.88	14	M4	6	28	343	69
42	28	18.7	6.3	4	19.05	20				34	412

kgf=N×0.101972

Che Na

FAX 886-2688-3177

info@chena.com.tw

886-22688-3188
886-2688-3881~3No.21, Guangrong St. Shulin Dist.,
New Taipei City 238 Taiwan (R.O.C.)