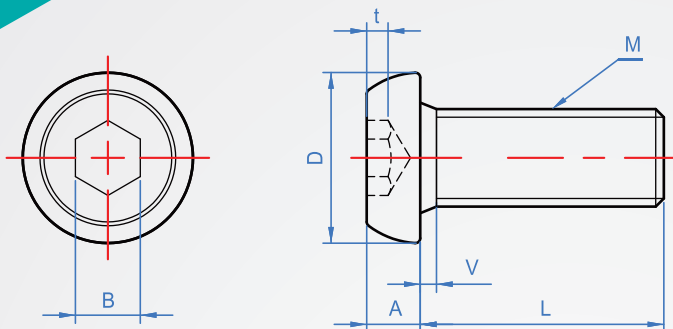


Hex socket pan head screw

WA714

Material	Hardness	Strength distinction
SCM435 (Black oxide)	34~44HRC	10.9
SUS304	-	A2

How to order

WA714	-	M3	-	5	-
TYPE	M	L			
Material chosen					
SCM435.....					
SUS304.....					SUS

1		2														Unit : mm				
M	Pitch	L														D	A	B	t (min.)	V (max.)
M2	0.4	4	5	6	8	10	12									3.5	1.3	1.3	0.6	0.6
M2.5	0.45		5	6	8	10	12									4.5	1.5	1.5	0.8	0.8
M3	0.5		5	6	8	10	12	15	16	20	25					5.7	1.65	2	1.04	1
M4	0.7		5	6	8	10	12	15	16	20	25	30	40			7.6	2.2	2.5	1.3	1.4
M5	0.8				8	10	12	15	16	20	25	30	40			9.5	2.75	3	1.56	1.6
M6	1.0				8	10	12	15	16	20	25	30	40	50		10.5	3.3	4	2.08	2
M8	1.25					10	12	15	16	20	25	30	40	50	60	14	4.4	5	2.6	2.5
M10	1.5						12	15	16	20	25	30	40	50	60	17.5	5.5	6	3.12	3