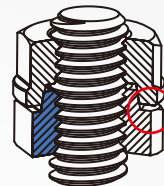


# LOCK NUT HL770

Rim

■The strongest anti-unscrewing nut [Sturdy lock nut] has evolved. When tightening the bonnet, because the spanner will not cross the visor, with the previous product. In comparison, the workability is greatly improved.

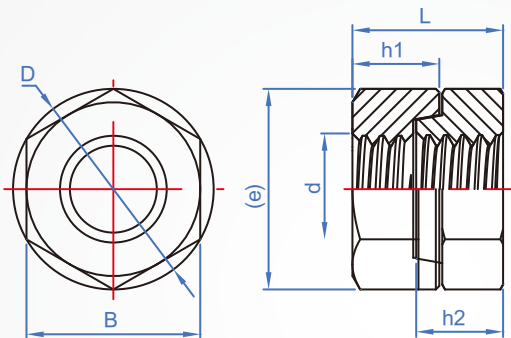
Material	Finish	Strength
SS400	CR	Class 4
SUS304	—	A2-50



Depending on the accuracy of the thread teeth, when the hand is tightened, a gap must be created between the bump nuts. If the gap is locked with the hand tight, the gap is extremely small or tight, so avoid using it in this situation.

### How to order

1  
HL770 - M5 -   
TYPE M  
Material chosen  
SS400.....  
SUS304..... SUS



1

Unit : mm

M	Pitch	B	Concave h1	Convex h2	(e)	Combination L	Combination g	Cap Tightening Torque(N.m)		Concave cap Tightening torque(N.m)
								SS400 strength=4.8	SUS304 A2-50	
M5	0.8	8	4	4	9.2	7.2	1.9	2.5	1.6	2~3
M6	1	10	5	5	11.5	8.5	4	4.1	2.7	4~5
M8	1.25	13	6.5	6.5	15	10.8	8.9	9.8	6.5	9~13
M10	1.5	17	8	8	19.6	13.2	18	20	13	18~24
M12	1.75	19	9.3	10	21.9	16	26	34	22	27~39
M16	2	24	11	13	27.7	21.2	46	84	55	70~100

\*The tightening torque of the cap is calculated based on the torque coefficient of 0.15 (70% of the bolt drop point) and is only a reference value.