

Short thread-Clean room

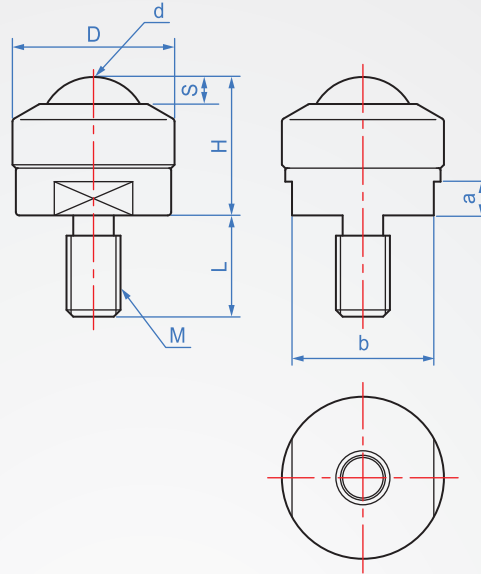
BR825



J Threaded bolt



SJ Threaded bolt



How to order

BR825 - 3H-CR - J - POM - UPE
 TYPE Code Base Ontology Main bead

													unit:mm	
1	2	3	4											
Code	Base	Ontology	Main bead	Load	H	L	S	D	M	a	b	φ d	Auxiliary beads	
3H-CR	J (Same color)	POM PTFT PAI UPE	POM PTFT PAI UPE	1 kg	14	12	2.5	15	M8	4	11	3/8" ball (9.525)	SUS304	
5H-CR	SJ (stainless steel)	UPE-Conductive PEEK PEEL-Conductive	UPE-Conductive PEEK PEEL-Conductive	2 kg	20.5	15	4	24	M8	5	21	5/8" ball (15.875)		