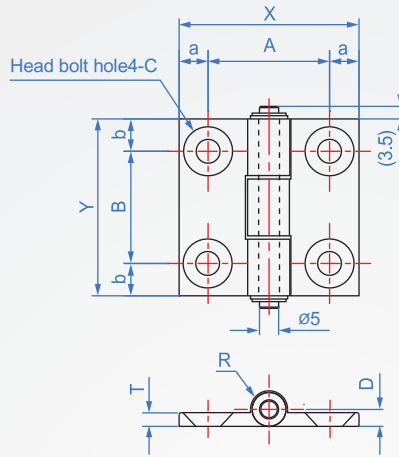
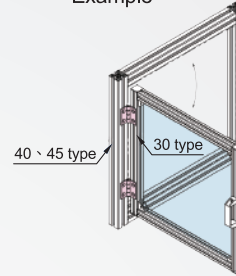


## Hinge TT920

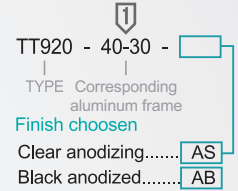


Example



Material	Finish
A6N01SS-T5	Clear anodizing
Aluminum alloy	Black anodized

### How to order



Model	Corresponding aluminum frame	A	a	B	b	X	Y	C	T	R/D	Load (N)	Weight (g)	Flat head screw	Nut Install before
Standard	20-20	21	7.5	25	11	36	47	5.5	3.5	5	98	20	M5-8	TT911-6-M5
	30-30	32	8	30	8.5	48							63	6.5
	40-40	42	10	37	13	62	50	M6-12	TT911-10-M6					
	45-45	47	16.5	43	10	80		70	M6-15					
Asymmetry	40-30	37	12.5	37	13	62	63	6.5	4.5	5.5	147	50	M6-15(12)	TT911-10(8)-M6
	45-30	39	11.5										M6-15(10)	

Unit : mm