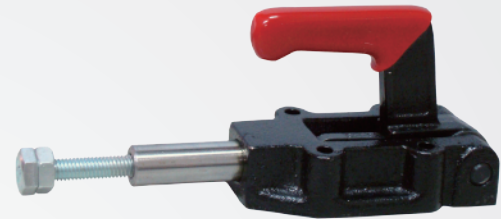
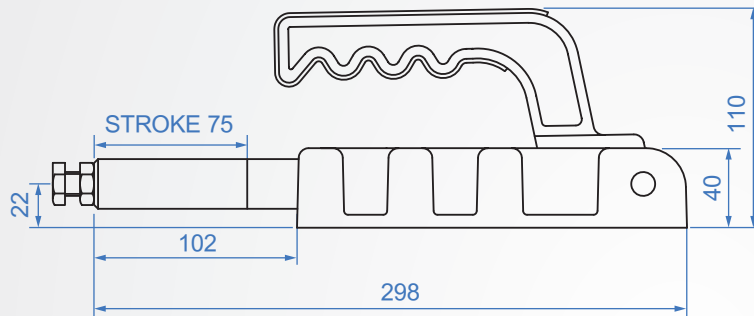
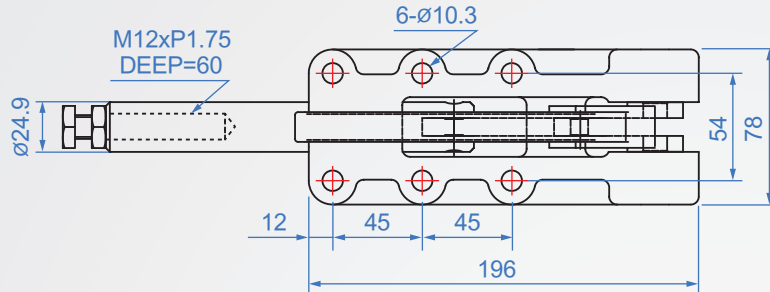


GH32500



GH32500

Material : SS400 Finish : Zinc plated

Unit : mm

Code No.	Clamping force(kg)	weight (g)	Hadle moving	Chuck moving	Front-end accessories
GH32500	2500	3894	185°	75	NSA-127517

1N=0.102kgf