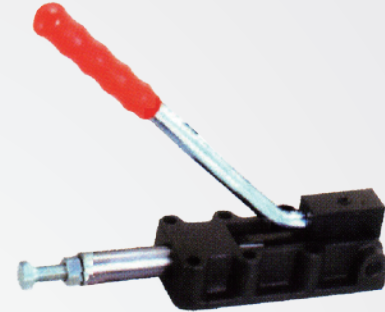
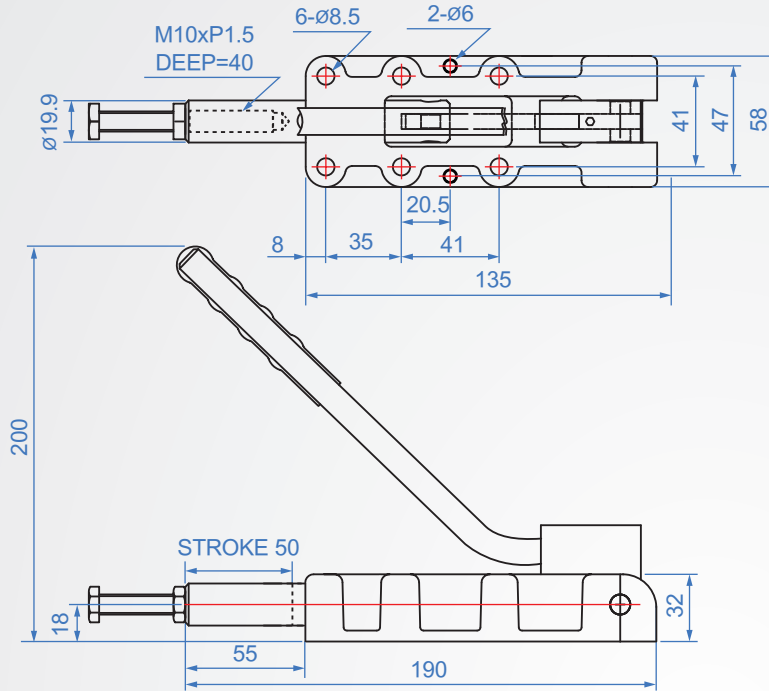


GH31200-HL



GH31200-HL

Material : SS400 Finish : Zinc plated

Unit : mm

Code No.	Clamping force(kg)	weight (g)	Hadle moving	Chuck moving	Front-end accessories
GH31200-HL	1200	1482	185°	50	NSA-107515