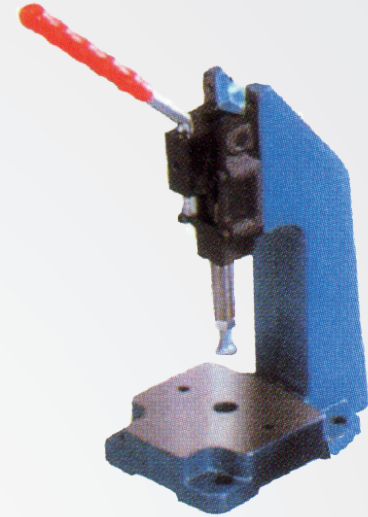
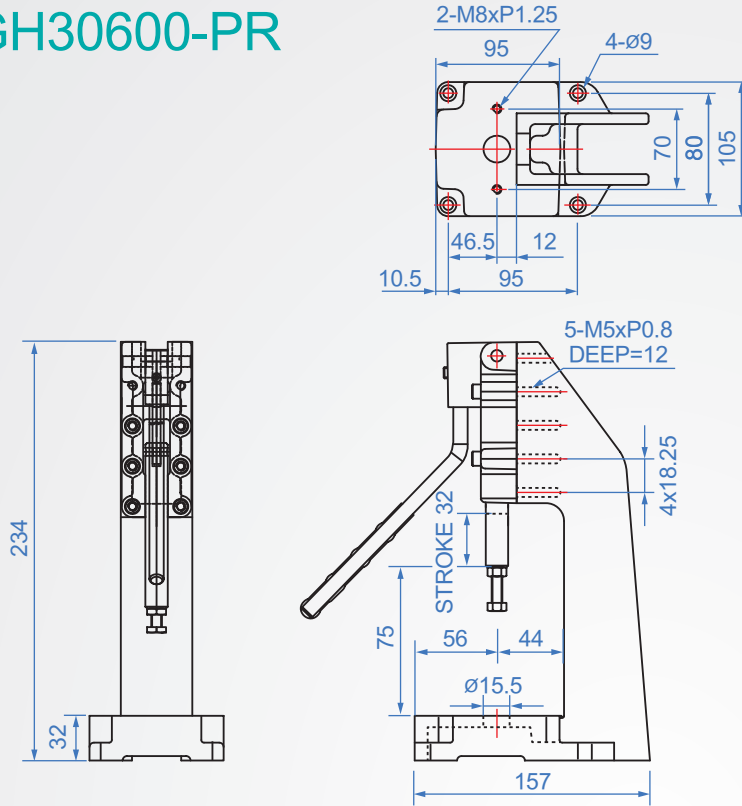


GH30600-PR



GH30600-PR

Material : SS400 Finish : Zinc plated

Unit : mm

Code No.	Clamping force(kg)	weight (g)	Hadle moving	Chuck moving	Front-end accessories
GH30600-PR	600	3627	185	32	NSA-086512