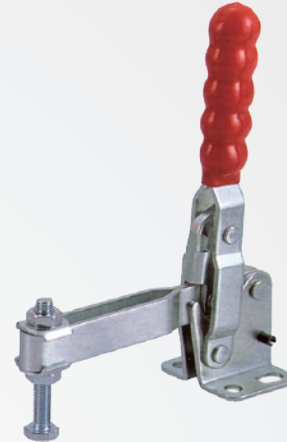
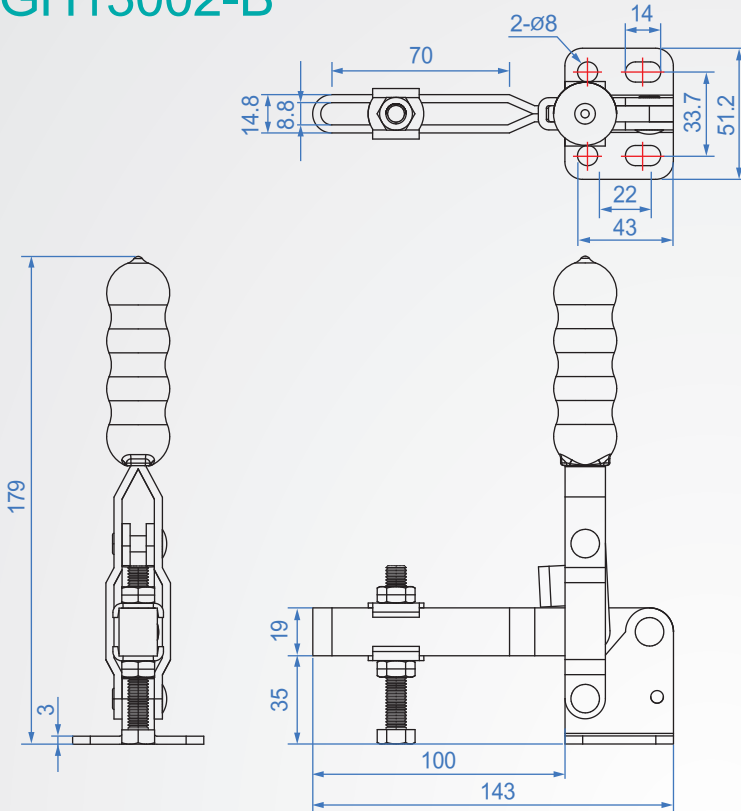


GH13002-B



GH13002-B

Material : SS400 Finish : Zinc plated

unit : mm

Code No.	Clamping pressure (kg)	weight (g)	Handle movement	Chuck movement	Front end fitting
GH13002-B	250	525	67°	106°	NSA-086512

1N≒0.102kgf