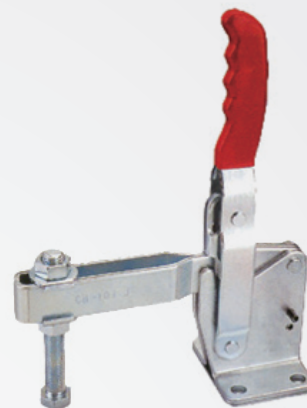
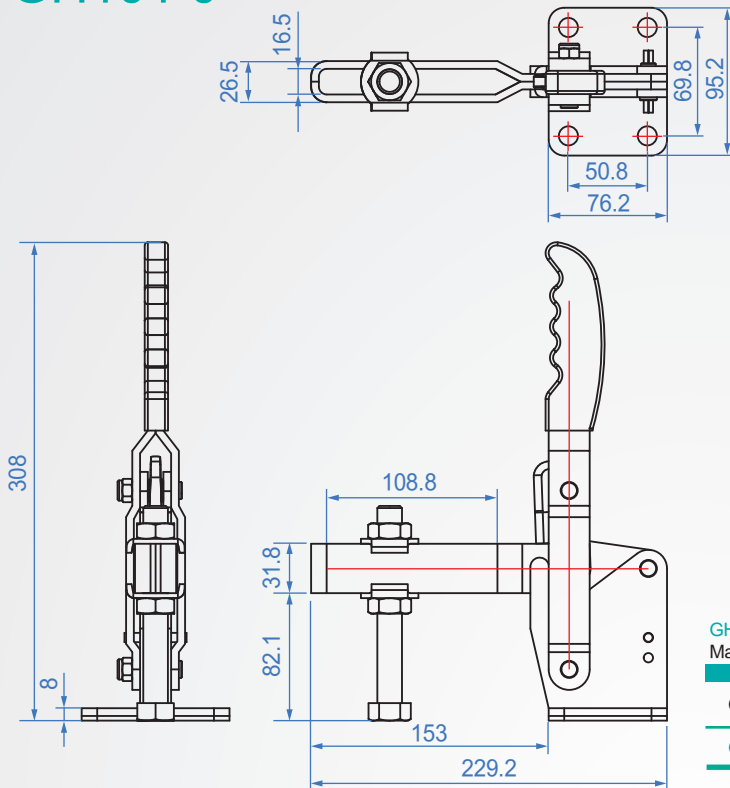


GH101-J



GH101-J

Material : SS400 Finish : Zinc plated

unit : mm

Code No.	Clamping pressure (kg)	weight (g)	Handle movement	Chuck movement	Front end fitting
GH101-J	550	2542	50°	100°	NFC-56212(Rubber)