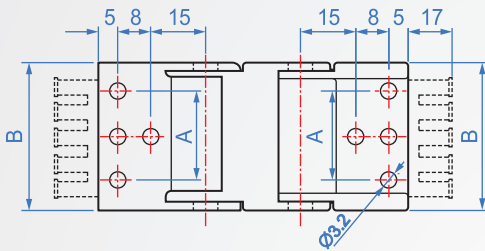


Holder-Press-in
F390

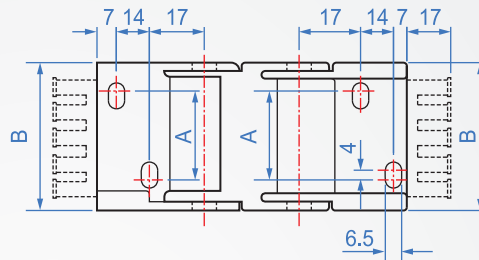


Material	Operating temperature
Special plastic	-30°C~100°C

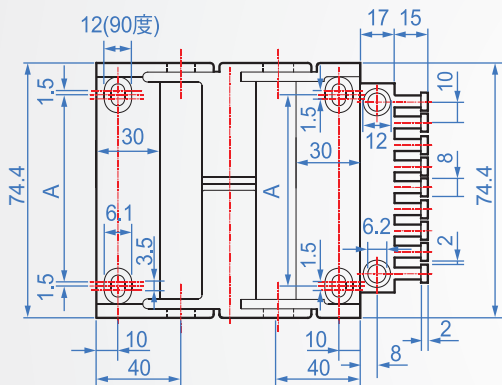
©No.8 series



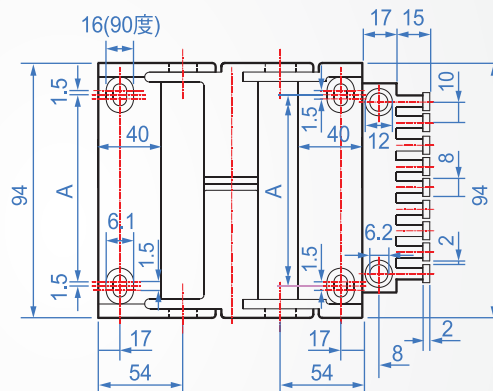
©No.14 series



©No.20 series



©No.26 series



How to order

F390 - 8-10-PZ
TYPE No.



Unit : mm

NO. (Mobile end+Fixed end)	A	B	Tie line board teeth	Applicable corresponding code	
				Outwards	Inwardly
8-10-PZ	-	18.2	2	8-10-E	8-10-Z
8-16-PZ	-	24.2	2	8-16-E	8-16-Z
8-20-PZ	-	28.2	2	8-20-E	8-20-Z
8-30-PZ	22	38.2	3	8-30-E	8-30-Z
8-40-PZ	32	48.2	4	8-40-E	8-40-Z
8-50-PZ	42	58.2	5	8-50-E	8-50-Z
14-15-PZ	-	26.3	2	14-15-E	14-15-Z
14-25-PZ	10	36.3	3	14-25-E	14-25-Z
14-38-PZ	23	49.3	4	14-38-E	14-38-Z
14-50-PZ	35	61.3	5	14-50-E	14-50-Z
20-57-PZ	44	74.4	6	20-57-E	20-57-Z
26-75-PZ	55	94	6	26-75-E	26-75-Z