

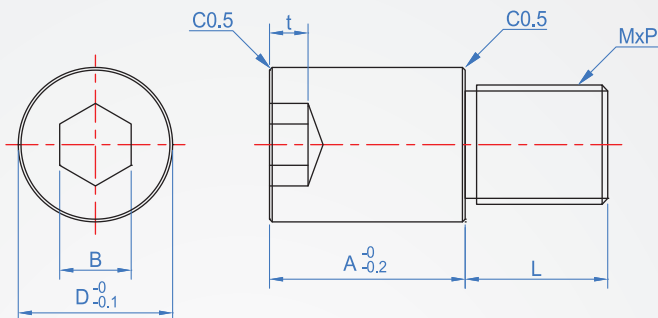
Column head cap screw

WA744

Material

Finish

S45C

Heat treatment
+
Black oxide

How to order

WA744 - M6x1.0 - 15
 TYPE M x Pitch A

									Unit : mm	
M x pitch	D	A					B	t	L	
M6 x 1.0	10	15	20	25	30		5	4	10	
M10 x 1.5	16	20	25	30			8	5	15	
M12 x 1.75	20	20	25	30	35	40	10	6	18	
M16 x 2.0	25	30	35	40			14	9	24	

Che Na

FAX 886-2688-3177

info@chena.com.tw

886-22688-3188
886-2688-3881~3No.21, Guangrong St. Shulin Dist.,
New Taipei City 238 Taiwan (R.O.C.)