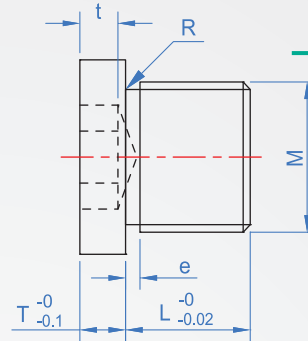
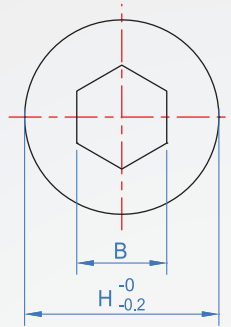


Low head cap screw

WA742 Coarse thread

Material	Finish	Thread
SCM435	Heat treatment + Black oxide	JIS B0205 6g (2 grade)



How to order

WA742 - M3x0.5 - 6
TYPE M x Pitch L

1		2		1		2		Unit : mm			
Coarse thread		Fine thread				H	B	T	t	e	R
MxPitch	L	mPitch	L								
M3x0.5	4、6	—	—	5.5	1.5	2	2	1	0.2		
M4x0.7	5.5、7.5	—	—	7	2	2.5					
M5x0.8	6、8	—	—	8.5	2.5	3	3	1.5	0.3		
M6x1.0	6.5、8.5	—	—	10	3	3.5					
M8x1.25	9、11	—	—	13	4	4	4	2	0.5		
M10x1.5		—	—	16	5						
M12x1.75		m12x1.5	8、9	18	6	5	5	2	0.5		
M16x2.0	11、13	m16x1.5	9、11	22	8						
M18x2.5	13、15	m18x1.5	10、13	24	10	6	6	2	0.5		
M20x2.5	15、17	m20x1.5	10、15	26	12						