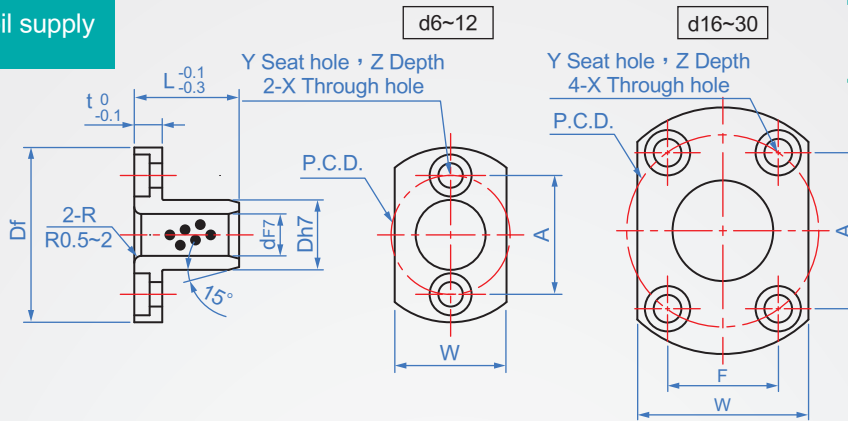


Two-sided flange
OL254 No oil supply



| Material | Heat resistant temperature |
|--------------|----------------------------|
| Copper alloy | -50~200°C |

How to order



| unit : mm | | | | | | | | | | | | | | | | | | | | | |
|-----------|------------------|----|-------------|----|----|----|----|----|----|----|----|--------|----|----|----|---|-----|-----|-----|-------------------|-------|
| d | F7 | D | h7 | L | | | | | | | Df | P.C.D. | W | F | A | t | X | Y | Z | Bow for the screw | |
| 6 | +0.022 +0.010 | 10 | 0 -0.015 | 15 | 20 | | | | | | 25 | 17 | 16 | | 17 | | | | | 2 holes | |
| 8 | +0.028 +0.013 | 12 | 0 -0.018 | 15 | 20 | 25 | 30 | | | | 27 | 19 | 18 | | 19 | 4 | 3.5 | 6 | 2.2 | | M3-10 |
| 10 | | 14 | | 15 | 20 | 25 | 30 | | | | 29 | 21 | 20 | | 21 | | | | | | |
| 12 | +0.034 +0.016 | 18 | 0 -0.021 | 15 | 20 | 25 | 30 | 35 | | | 36 | 26 | 24 | | 26 | 5 | 4.5 | 7.5 | 3 | M4-12 | |
| 16 | | 22 | | 15 | 20 | 25 | 30 | 35 | 40 | | 40 | 30 | 28 | 18 | 30 | | | | | M4-12 | |
| 20 | | 28 | | 20 | 25 | 30 | 35 | 40 | 50 | 60 | 49 | 38 | 34 | 22 | 38 | 6 | 5.5 | 9 | 3.7 | M5-16 | |
| 25 | +0.041 +0.020 | 33 | 0 -0.025 | | | 30 | 35 | 40 | 50 | 60 | 54 | 43 | 39 | 25 | 43 | | | | | 4 holes | |
| 30 | | 38 | | | | 35 | 40 | 50 | 60 | 70 | 63 | 50 | 44 | 30 | 50 | 8 | 6.6 | 11 | 4.2 | | M6-20 |