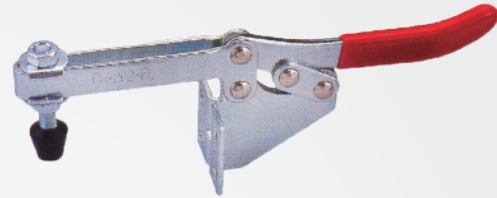
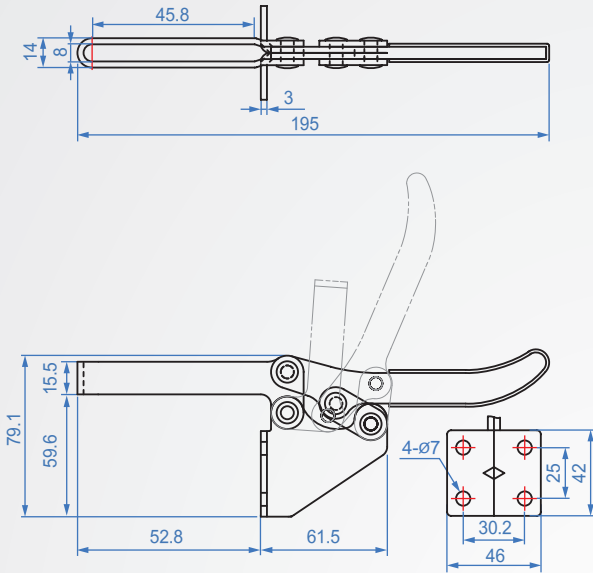


## GH202-F



### GH202-F

Material : SS400 Finish : Zinc plated

Unit : mm

Code No.	Clamping force(kg)	weight (g)	Hadle moving	Chuck moving	Front-end accessories
GH202-F	227	350	60°	86°	FC-56212