

Bushing

JZ249

Small

Material

Hardness

SUJ2

HRC55~

How to order

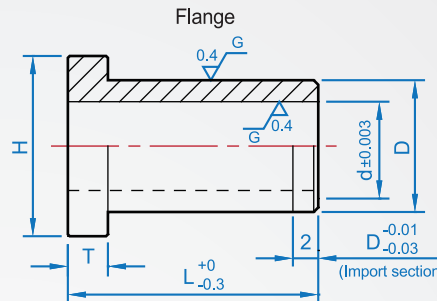
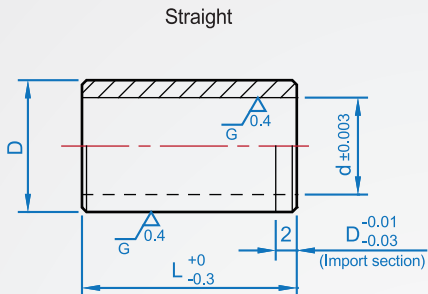
JZ249 - 3 - 10 -

TYPE No. L

Type

Straight.....

Flange.....



1		2				Unit : mm				
Applicable shaft No.	L				d	D	Tolerance value	H	T	
3	10	20	30		5	7	+0 -0.006	9	2.5	
4	10	20	30		6	8		10	3	
5	10	20	30		7	10		12		
6		20	30	40	8	11	+0 -0.011	13	4	
8		20	30	40	10	12		14		
10		30	40	50	12	16		18		
12		30	40	50	14	18		20		