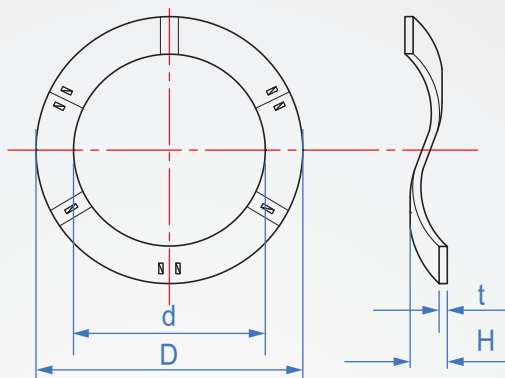


Wave Spring Washers

WW783

Taiwan
specifications

※Suitable for thrust loads, especially for applications where radial space is limited.
Example : Ball bearing axial load.

Material	Hardness	Finish
SUS	HRC40~50	Black oxide

How to order

WW783 - 18
 TYPE No.

									Unit: mm
No.	D	Tolerance	d	Tolerance	H	Tolerance	t	Tolerance	
3	6.5		3.4		1.0		0.2	±0.020	
4	8.0		4.3		1.5		0.2	±0.025	
5	9.0		5.4		1.5	+0.5 -0	0.3		
6	11.0		6.4		1.5		0.3		
8	12.5		8.5		2.0		0.3		
9	13.5		9.5		2.0		0.3		
10	14.5	+0	10.5	+0.30	2.0		0.3		
12	17.0	-0.5	12.5	-0.15	2.5		0.3		
14	20.0		14.5		2.5		0.3		
15	21.6		15.6		2.5	+0.7 -0	0.3		
16	22.5		16.7		2.5		0.3		
17	23.2		17.3		2.5		0.3		
18	26.0		18.7		3.0		0.3		
20	29.1		20.7		3.0		0.3		

Che Na

886-2688-3177

info@chena.com.tw

 886-22688-3188
886-2688-3881~3

 No.21, Guangrong St. Shulin Dist.,
New Taipei City 238 Taiwan (R.O.C.)