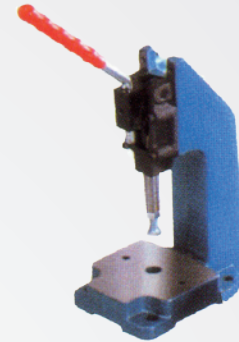
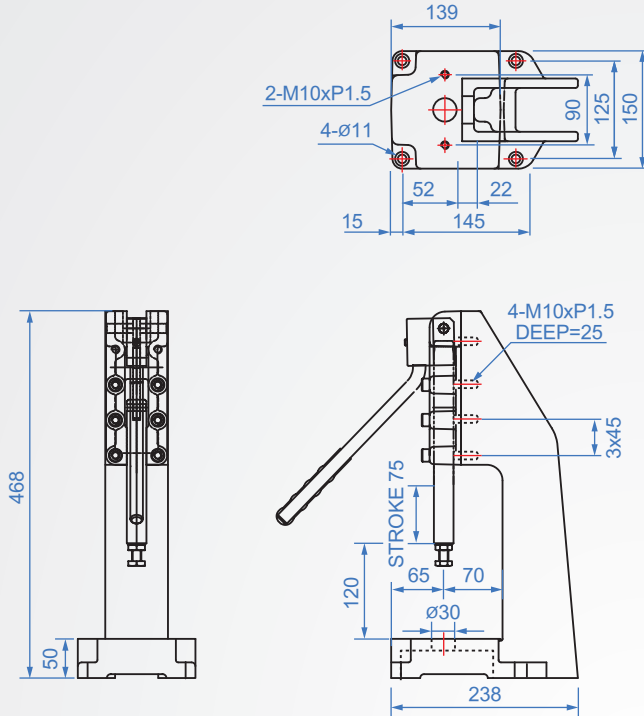


## GH32500-PR



### GH32500-PR

Material : SS400 Finish : Zinc plated

Unit : mm

Code No.	Clamping force(kg)	weight (g)	Hadle moving	Chuck moving	Front-end accessories
GH32500-PR	2500	17250	185°	75	NSA-127517