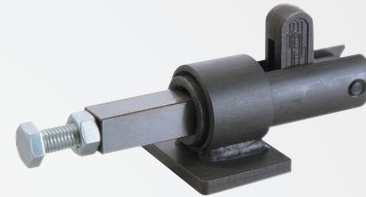
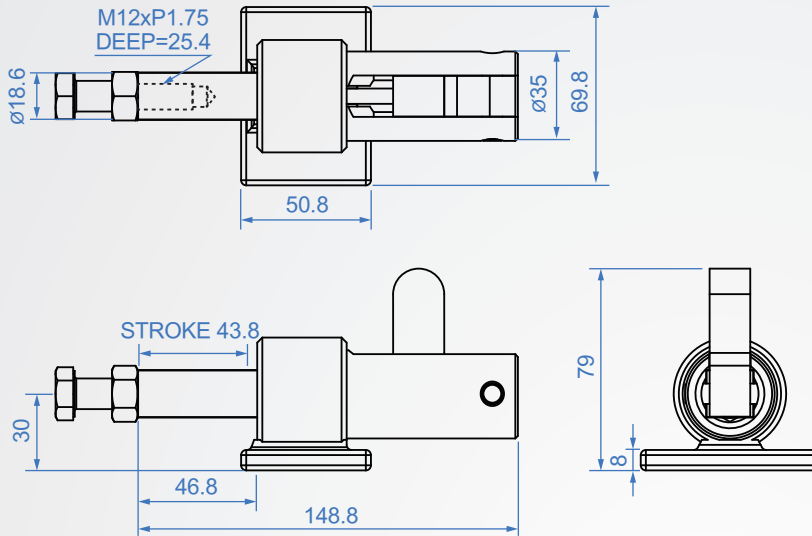


GH30509-M



GH30509-M

Material : SS400 Finish : Zinc plated

Unit : mm

| Code No. | Clamping force(kg) | weight (g) | Hadle moving | Chuck moving | Front-end accessories |
|------------|--------------------|------------|--------------|--------------|-----------------------|
| GH30600-HL | 1136 | 1396 | 91° | 43.8 | NSA-125017 |

1N=0.102kgf