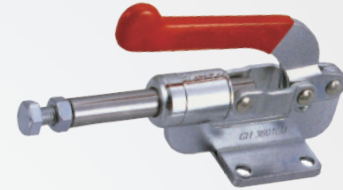
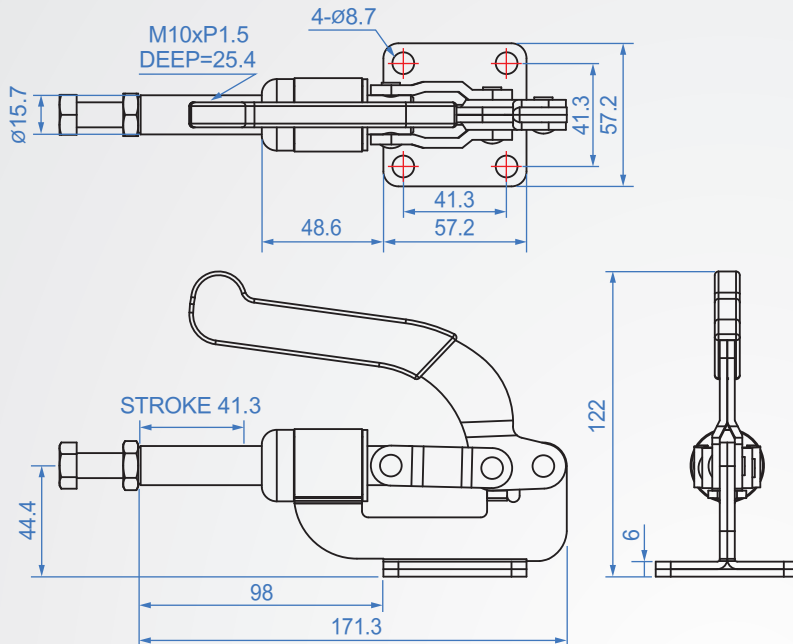


GH36010M



GH36010-M

Material : SS400 Finish : Zinc plated

Unit : mm

Code No.	Clamping force(kg)	weight (g)	Hadle moving	Chuck moving	Front-end accessories
GH36010-M	364	802	180°	41.3	NSA-105015