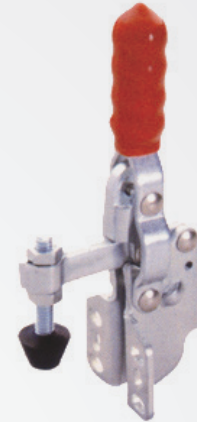
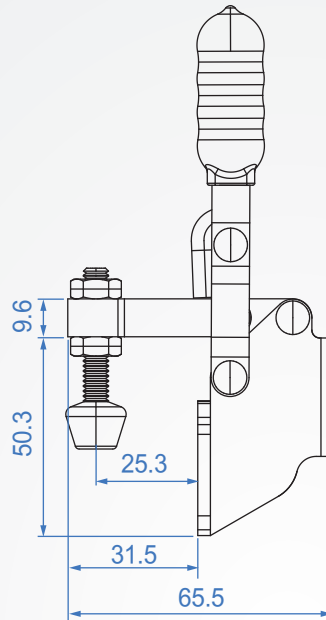
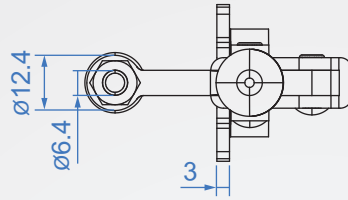
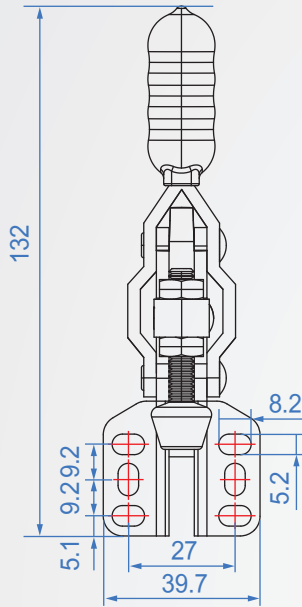


GH12050-SM



GH12050-SM

Material : SS400 Finish : Zinc plated

unit : mm

Code No.	Clamping pressure (kg)	weight (g)	Handle movement	Chuck movement	Front end fitting
GH12050-SM	91	186	60°	95°	NFC-14134

1N≒0.102kgf