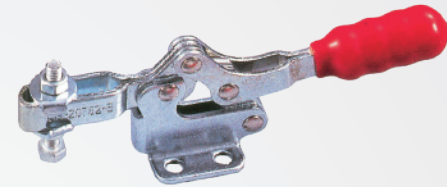
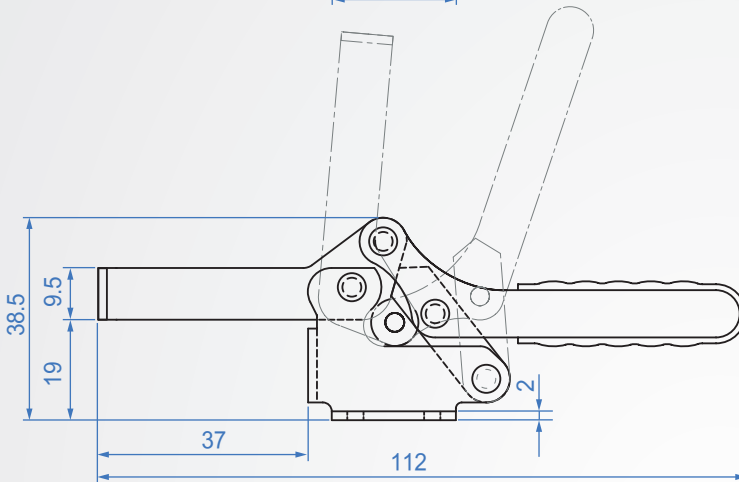
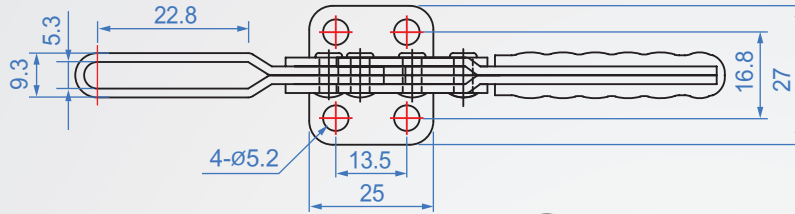


GH20752-B



GH20752-B

Material : SS400 Finish : Zinc plated

GH20752-BSS

Material : SUS04

unit : mm

Code No.	Clamping pressure (kg)	weight (g)	Handle movement	Chuck movement	Front end fitting
GH20752-B	75	91	78°	96°	NSA-053008
GH20752-BSS	75	91	78°	96°	—

1N=0.102kgf