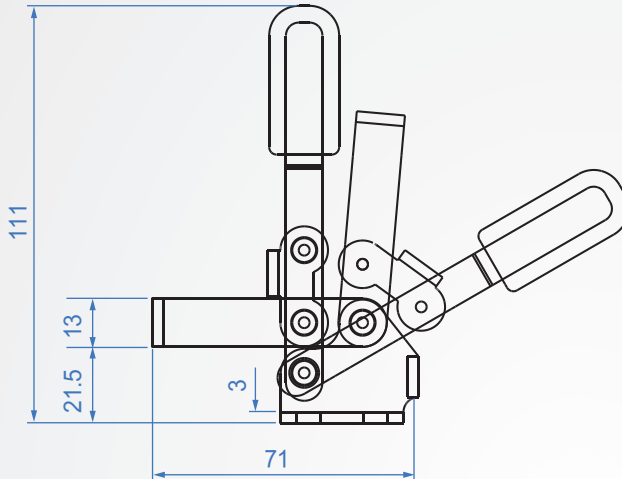
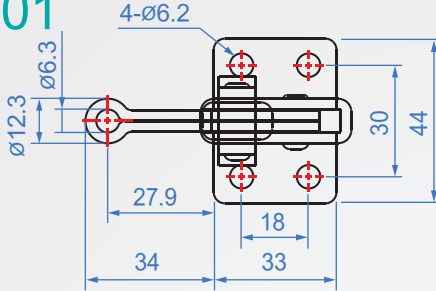


GH11401



GH11401

Material : SS400 Finish : Chrome plated

Unit : mm

Code No.	Clamping force(kg)	Weight (g)	Handle moving	Chuck moving	Front-end accessories
GH11401	100	210	72°	120°	NSA-064010