

## LM235

General

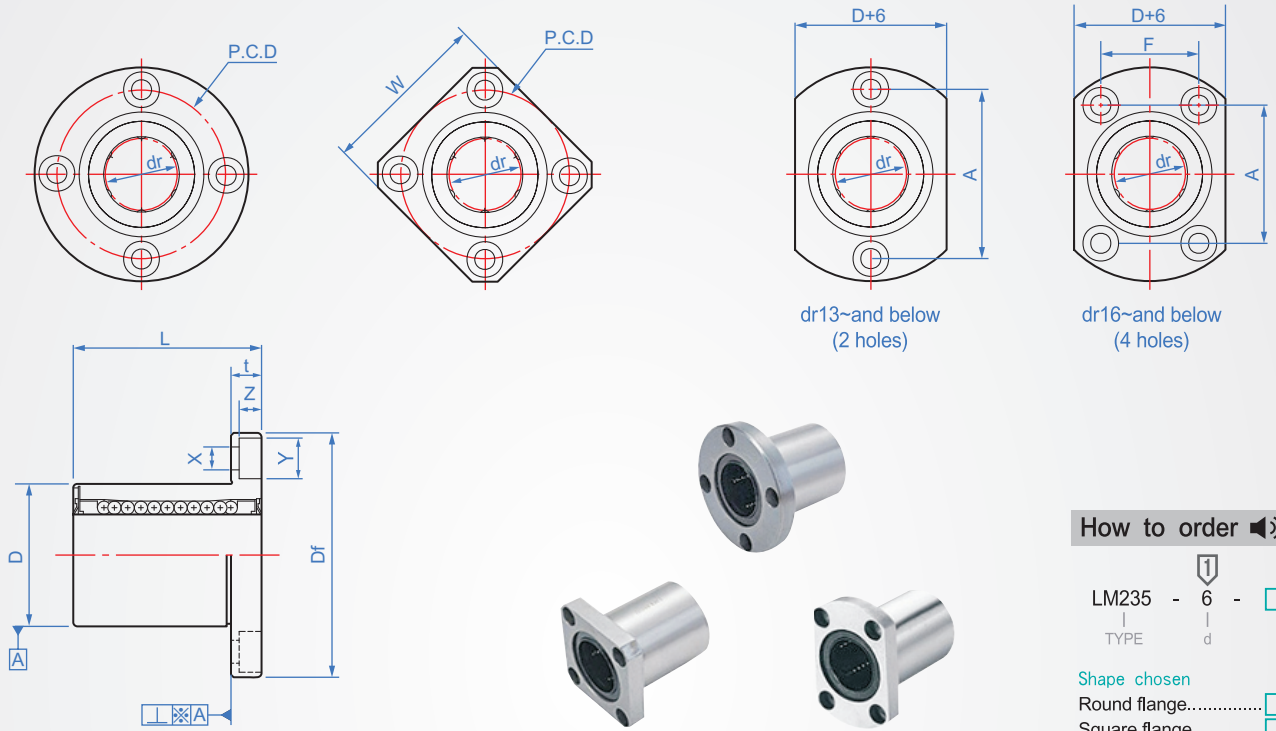
Main part	Steel ball	Holder	Operating temperature	Accessory
SUJ2 HRC58~	SUJ2	Resin	-20~80°C	2-sides dust cover

※Main body electroless nickel is good for antirust.

F : Round flange

K : Square flange

H : Double sides flanges



### How to order

LM235 - 6 -

TYPE d

Shape chosen

Round flange.....  F

Square flange.....  K

Double sides flanges...  H

Unit : mm

dr	Tolerance value	Main size		Flange parts									Eccentric max.	Straight angle	Rated load(kgf)		Weight(g)			
		D	Tolerance value	L	A	Df	F	P.C.D	t	W	X	Y			Z	C(N)	Co(N)	Round flange	Square flange	Double sides flanges
6	+0 -0.009	12	+0	19	20	28	—	20	22	3.5	6	3.1	0.012	0.012	200	260	24	18	21	
8		15	-0.013	24	24	32		24	25						260	400	37	29	33	
10		19	+0	29	29	40		29	30						370	540	72	52	64	
12		21	+0	30	32	42		32	32						410	590	76	57	68	
13		23	-0.016	32	33	43		33	34						500	770	88	72	81	
16	28	37	31	48	22	38	37	770	1170	120	104	112								
20	+0 -0.010	32	+0 -0.019	42	36	54	24	43	8	5.5	9	5.1	0.015	0.015	860	1370	180	145	167	
25		40		59	40	62	32	51							50	980	1560	340	300	325
30		45		64	49	74	35	60							10	58	6.6	11	6.1	1560

※Suggest using g6 tolerance guides.

1N≒0.12kgf