

Pulled handle  
**HA963**

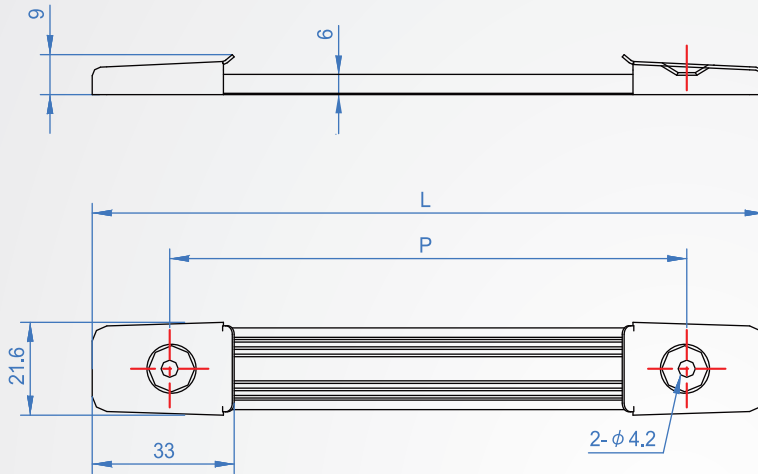


Material and Finish

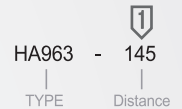
- Holder : Cold-rolled Steel (SPCC), Nickel plated.
- Handle : Soft Plastic with reinforcing plate inside.
- Reinforcing Plate : SK7 steel sheet.

Features :

- Resistance to acid, alkali, greasiness.
- Working temperature between -20°C~100°C



How to order



1			
			Unit : mm
P	L	Load Capacity (kg)	Weight (g)
145	180	35	31.4
155	190		32.6