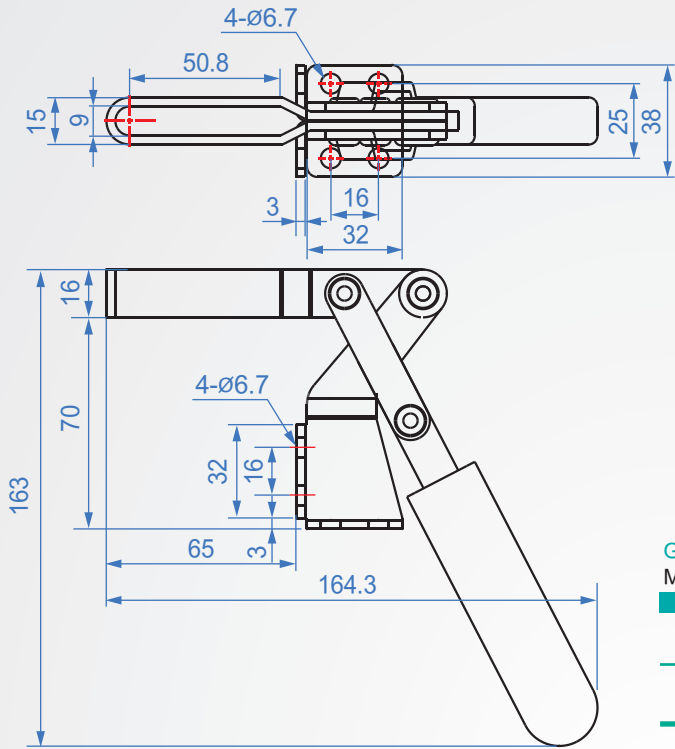


GH20820



GH20820

Material : SS400 Finish : Chrome plated

Unit : mm

Code No.	Clamping force(kg)	weight (g)	Hadle moving	Chuck moving	Front-end accessories
GH20820	100	421	68°	190°	FC-56212