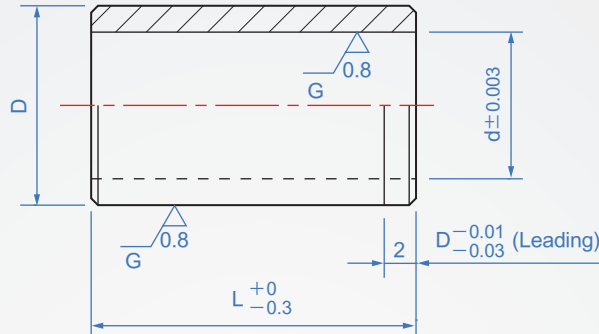


0.6mm steel ball guide bush

**DH249**

For mini



Material

Hardness

SUJ2

58HRC~

Equal to SUS440C

56HRC~

How to order



Select material

SUJ2.....  
 Equal to SUS440C.....

1		2				unit:mm		
Applicable shaft No.	L			d	D	Tolerance	H	T
3	10	20	30	4.2	6	0 -0.006	8	2.5
4	10	20	30	5.2	7		9	3
5	10	20	30	6.2	8		10	
6		20	30	40	7.2	0 -0.011	11	4
8		20	30	40	9.2		11	