

4 Digit type
PD290

Feature

- >Four digit display including a digital point for optimum reading precision.
- >Compact type position indicators DP290 provide four mounting types, and also used in a wide range of sectors and for all production environments.

Main Part		Indicator	Cushion Sheet	Pedestal	
Material	Mass			Material	Mass
Nylon 6 (Orange)	0.05 (kg)	Steel (Black oxide)	Polyethylene Foam	Nylon (Flat Black)	10 (g)

Operating Temperature : ~ +80°C

How to order

PD290 - 4 - R - A

 TYPE Pitch Rotating Direction Digital read direction

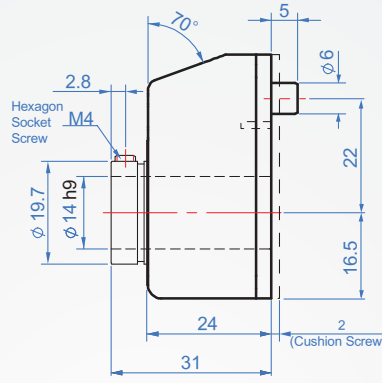
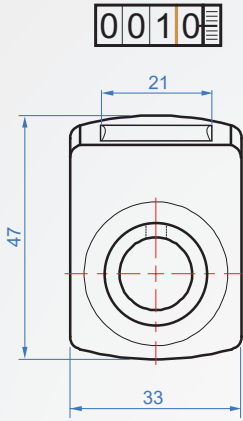
 + Value-added product increase in height a pedestal PD290 - Y

 TYPE Pedestal

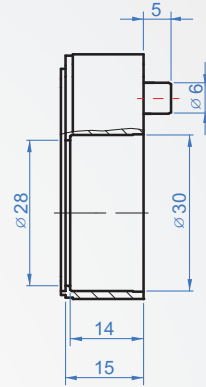
 + Value-added product variable diameter Indicator Collar Z

 PD290 - Z6

 TYPE No.



■ Increase in height a pedestal PD290-Y



1

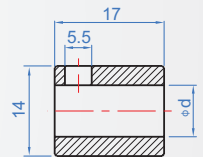
2

3

Unit : mm

Pitch	Count increment resolution	Rotating direction	Maximum rotating speed (rpm)	Digital read direction
1	001.0	R Clockwise	500	A Top tilt type
2	002.0		500	
3	003.0		500	C Front spindle type
4	004.0		375	
5	005.0	300		
6	006.0	250		
8	008.0	L Counterclockwise	180	
10	010.0		150	

■ Variable diameter Indicator Collar PD290-Z□



Z

Material	d	No.
S45C (Black oxide)	6	Z6
	8	Z8
	10	Z10
	12	Z12

※ Proposal the corresponding axis tolerance : g6

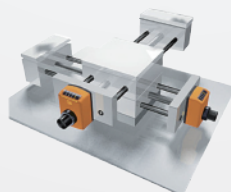
■ Shell label

Clockwise
Pitch - 4.0

According to Position Digital indicators exact Pitch and rotating direction , In shipment paste the label.

■ EX :

Apply to compound tables Woodworking Machinery , Other such Installation position.



■ Provide a hole used for locating

1. Mount the included cushion sheet and pass it through the screw shaft.

2. Set the indicator at "0" and then fix it with the attached set screws.

