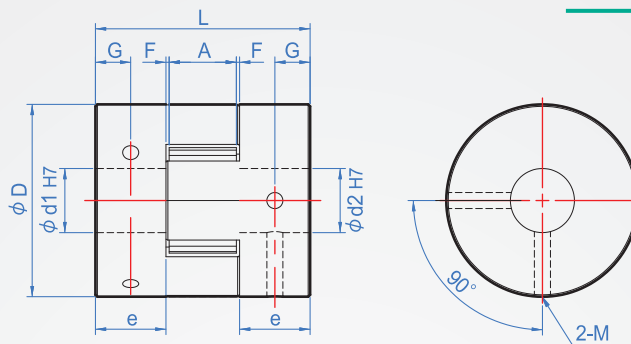


Resin Coupling-Jaw

CH434

Set screw

**Main part**A6061
(Clear anodizing)**Cushioning material**Red PU
(Hardness
95SH A)**Hex socket head cap screws**SCM435
(Black oxide)**How to order**

¹
 CH434 - 20 - 7x8
 TYPE D d1xd2

Unit : mm

D	Inner hole designation d1 \ d2 min. max.	L	G	A	F	e	M	General torque (N · m)	Max. torque (N · m)	Max. return speed (rpm/min)	Moment of inertia (kg · m ²)	Allow axial displacement (mm)	Allow eccentricity (mm)	Allowable declination (°)	Weight (g)
20	5 ~ 9.525	30	5	9	0.5	10	M3	5	10	14000	1.0x10 ⁻⁶	±0.4	0.1	1	18
30	6 ~ 14	35	5.5	11		M4	12.5	25	12000	5.8x10 ⁻⁶	±0.5	50			
40	8 ~ 19	66	12.5	14	1	25	M5	17	34	10000	4.0x10 ⁻⁵	±0.6			190
40S	8 ~ 19	42	7			14					3.9x10 ⁻⁵				170
55	12 ~ 25	78	10	16	30	M6	60	120	7000	1.6x10 ⁻⁴	±0.7	350			
65	15 ~ 35	90	17.5	17.5	1.25	35	M8	160	320	5900	3.8x10 ⁻⁴	±0.75			570
80	15 ~ 45	114	22.5	21	1.5	45		325	650	4800	1.1x10 ⁻³	±0.8			1400
95	20 ~ 55	126	16	20	3	50	M10	450	900	3600	1.9x10 ⁻³	±1.0			1500

Che Na

FAX 886-2688-3177

info@chena.com.tw

886-22688-3188
886-2688-3881~3No.21, Guangrong St. Shulin Dist.,
New Taipei City 238 Taiwan (R.O.C.)