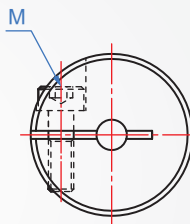
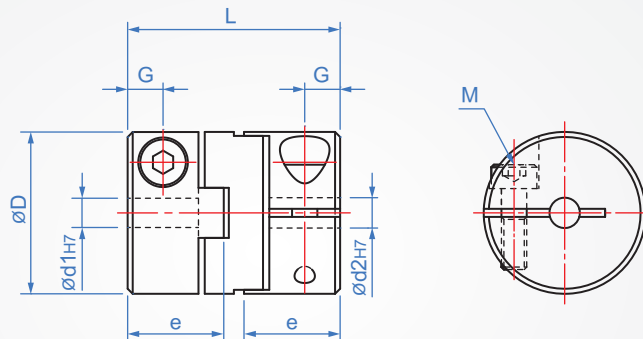


Cross slider

GS433

Cushion type clamping



How to order

GS433 - 12 - 3x3
 TYPE D d1xd2

unit : mm

D	Inner hole designation d1-d2		L	e	M	G	Max. torque (N · m)	Max. return speed (rpm/min)	Moment of inertia (kg · m ²)	Allowable axial displacement (mm)	Allowable declination (°)	Weight(g)
	min.	max.										
12	3	~ 5	14.9	7.3	M2	2.5	0.5	12000	7.1x10 ⁻⁸	±0.2	2	3
16	4	~ 6	21	10.4	M2.5	3	0.7	9000	3.0x10 ⁻⁷			8
20	5	~ 8	22.1	10.9	M2.5	3	1.2	6500	7.4x10 ⁻⁷			13
25	5	~ 12	27.2	13.5	M3	4	2	5500	2.2x10 ⁻⁶			24
32	5	~ 16	33.3	16.5	M4	5	4.5	4500	7.3x10 ⁻⁶			48