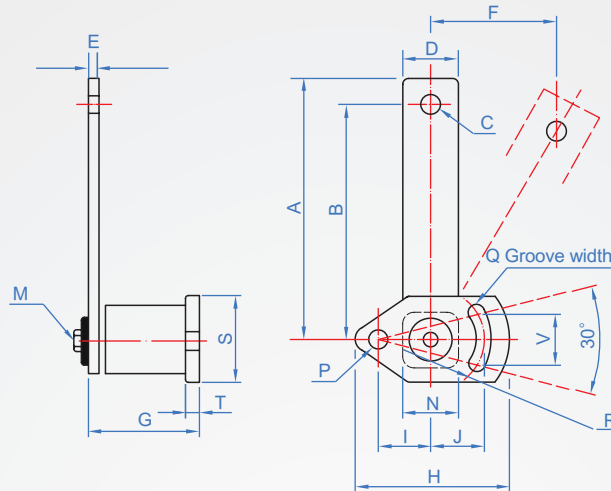


Elastic idler frame RS350



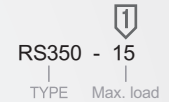
※The dimensional drawing is the forward tension.
If you need to reverse the use, please order it.

Bracket		Elastic shaft	
Material	Finish	Material	Color
SS41	Paint black	Rubber	Black

◎Specialty:

- Never need to adjust chain tension permanently.
- Absorb vibration and noise.
- Increase the life of the chain by three times.
- Reducing costs is cheaper than self-control.

How to order



Unit : mm

Max. load kgf	A	B	C	D	E	F Max. displacement	G ±1	H	I	J	M	N	S	T	P	Q Groove width	R	V
5	47	40	M6	16	4	20	30	30	13	12	M5x15	17	20	4	5.2	5.2	25	-
10	92	80	10	20	5.5	40	51	52	17	18	M6x20	22	35	6	7	7	35	17.5
13	70	60																
15	112	100	10	25	5.5	50	63	40	25	25	M8x25	30	40	8	8.5	8.5	50	25
21	80	70																
45	125	110	12	38	7	55	91	80	29	31	M10x30	42	50	12	9	8.5	60	30