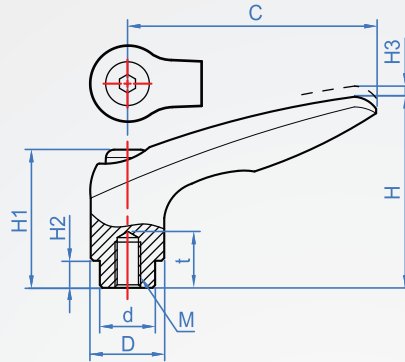
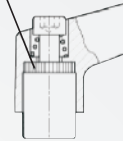


Adjustment handle

HA932 With female thread



Example
Serrations



When pulling up the handle serrated shaft will be out, after the handle is placed in the appropriate direction, put down the handle will automatically fit.

Axle	Handle	Spring
Steel (Black oxide)	Zinc die casting (Baked Painting)	SUS304-WPB
SUS303		

How to order

1 2 3
HA932 - BK - 45 - M6 -
TYPE Color C M
Axle chosen
 Steel.....Blank
 Stainless steel.....SUS

Unit : mm									
1	2	3							
Color	C	M Coarse thread	D	d	H	H1	H2	H3	t
BK (Black)	45	M4	13	10	35	24.5	4	3.5	8
		M5							
OR (Orange)	63	M6	17.5	13.5	45	31	6.5	4	10
		M8							
	78	M10							
		M12							
SV (Silver)	92	M12	24	19	65	43	11	5	17
		M16							
	108	M16	30	23	76	50	12	5	22

Copyright © CHENA INDUSTRIAL CO., LTD ALL RIGHTS RESERVED.