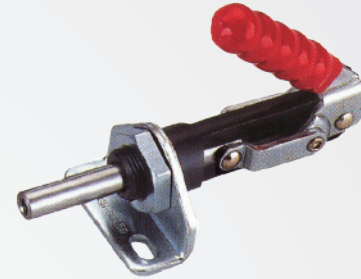
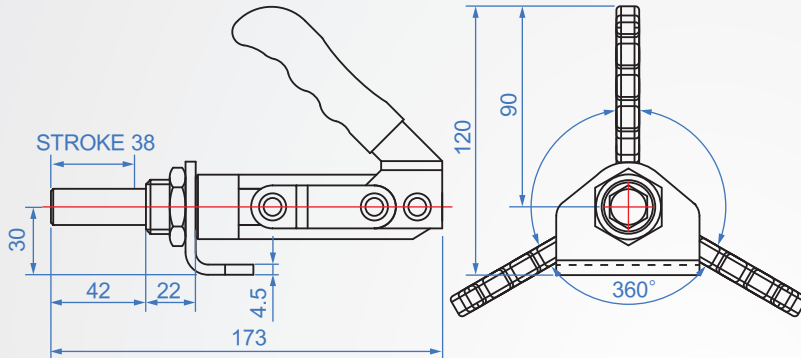
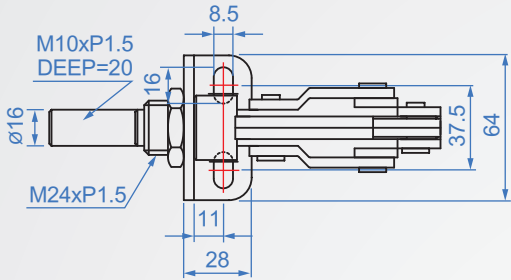


## GH30450



### GH30450

Material : SS400 Finish : Zinc plated

Unit : mm

Code No.	Clamping force(kg)	weight (g)	Hadle moving	Chuck moving	Front-end accessories
GH30450	450	763	185°	38	NSA-103015