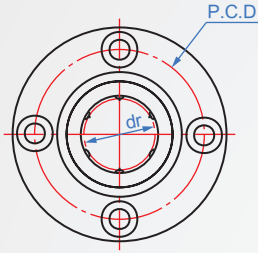


Embed
LM237
General

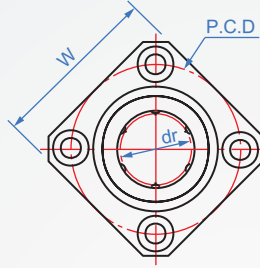
Main part	Steel ball	Holder	Operating temperature	Accessory
SUJ2 HRC58~	SUJ2	Resin	-20~80°C	2-sides dust cover

※Main body electroless nickel is good for antirust.

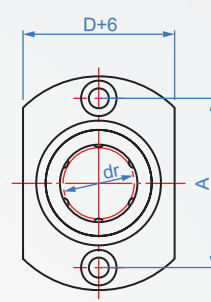
F : Round flange



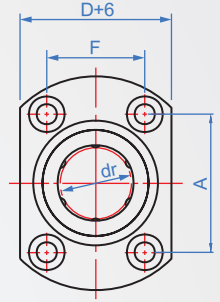
K : Square flange



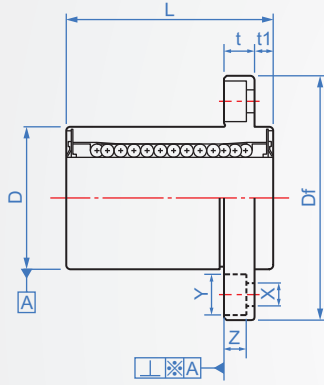
H : Double sides flanges



dr13~and below
(2 holes)



dr16~and below
(4 holes)



How to order

LM237 - 12 -
 TYPE dr

Shape chosen

Round flange..... F

Square flange..... K

Double sides flanges... H

Unit : mm

dr	Tolerance value	Main size		Flange parts										Eccentric max.	Straight angle	Rated load		Weight(g)			
		D	Tolerance value	L	A	Df	F	P.C.D	t	t1	W	X	Y			Z	C(N)	Co(N)	Round	Square	Double sides
6	+0 -0.009	12	+0	19	20	28	—	20	5	5	22	3.5	6	3.1	0.012	0.012	200	260	24	18	21
8		15	-0.013	24	24	32		24									25	260	400	37	29
10		19	+0	29	29	40	29	30	370	540	72	52	64								
12		21	+0	30	32	42	32	32	410	590	76	57	68								
13		23	-0.016	32	33	43	33	34	500	770	88	72	81								
16		28	+0	37	31	48	22	38	37	770	1170	120	104	112							
20	+0 -0.010	32	+0	42	36	54	24	43	8	8	42	5.5	9	5.1	0.015	0.015	860	1370	180	145	167
25		40	-0.019	59	40	62	32	51									50	980	1560	340	300
30		45	+0	64	49	74	35	60	10	10	58	6.6	11	6.1			1560	2740	470	375	388

※Suggest using g6 tolerance guides.

1N≒0.12kgf

Copyright © CHENA INDUSTRIAL CO., LTD ALL RIGHTS RESERVED.