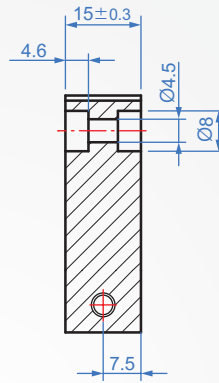
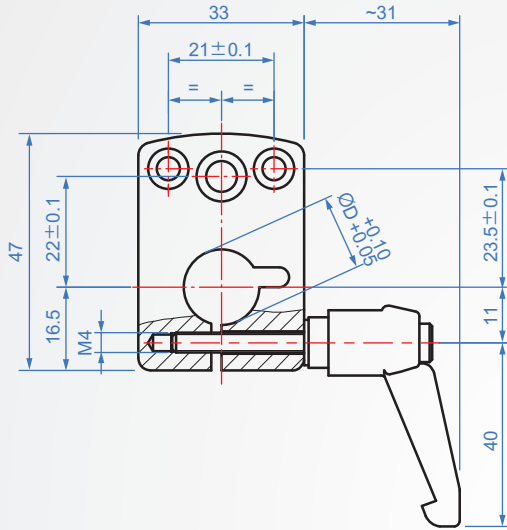


## Fixed splint PD292

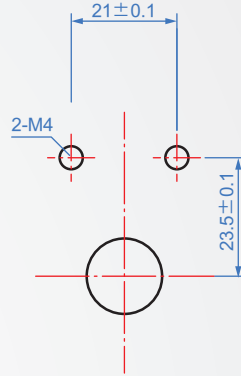


<b>Body material</b>	Fixed handle
Aluminum alloy (Black anode)	Zinc die casting (Paint)

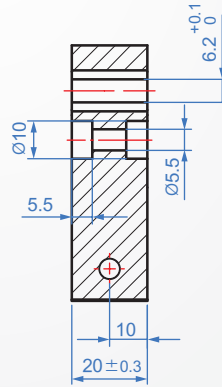
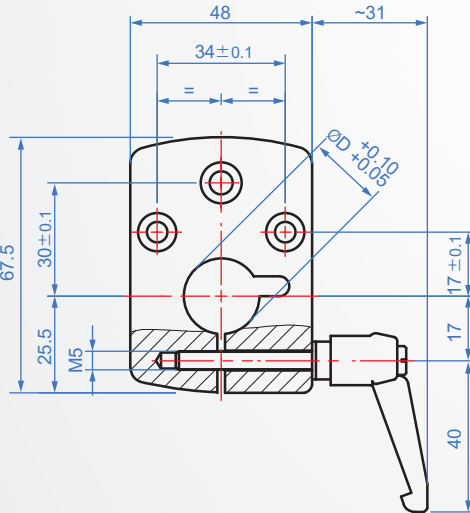
■ No.33



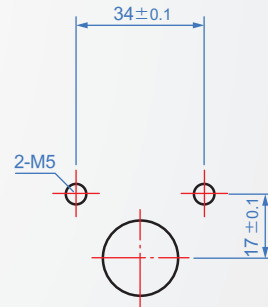
● Screw hole machining



■ No.48



● Screw hole machining



※Use example



### How to order

1 2  
 PD292 - 33 - 8  
 TYPE No. D

No.	D							
	8	10	12	14	15	16	18	20
33	8	10	12	14	15			
48	8	10	12	14	15	16	18	20

unit : mm