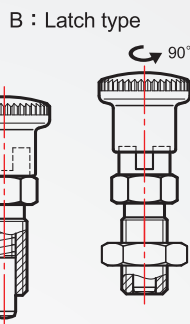
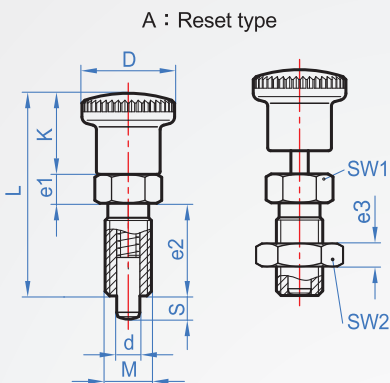


## Nylon arc knob IP642

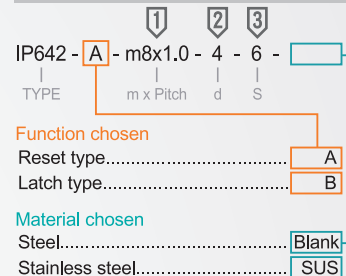


D Knob : Nylon 6(Mat Black)

Main part		d Pin		Spring	Affiliated nuts	
Material	Finish	Material	Finish		Material	Finish
Steel	Black oxide	Steel 50~60HRC	Black oxide	SWP-B	Steel	Black oxide
SUS303	—	SUS303	Nickel plating	SUS304	SUS303	—

- Reset type : 1.Pull the knob up, latch sink into the body, positioning can be relieved.  
2.Release knob, the force of the internal spring can restore pin protruding state.
- Latch type : 1.Pull the knob up and rotate 90 degrees, latch sink into the body, positioning can be relieved.  
2.Rotate 90 degrees and release knob, the force of the internal spring can restore pin protruding state.

### How to order



1 Fine thread m x Pitch	2 d $\begin{matrix} -0.02 \\ -0.04 \end{matrix}$	3 S	L	K	D	e1	e2	e3	sw1	sw2	Load (N)		Quality g
											min.	max.	
m8 x 1.0	4	4	35	14	16	16	5	4	10	13	4.5	12	12
		6									4	12.5	13
m10 x 1.0	5	5	40	16	19	18	6	5	12	17	5	15	21
		8									18	22	
m12 x 1.5	6	6	48	20	23	22	6	6	14	19	6.5	19	35
		9									6	25	36
m16 x 1.5	8	8	58	24	28	26	8	8	17	24	8.5	26	71
		12									28	73	
m20 x 1.5	10	10	67	24	28	26	8	8	17	24	9.5	38	74
		12									11.5	40	135

Unit : mm