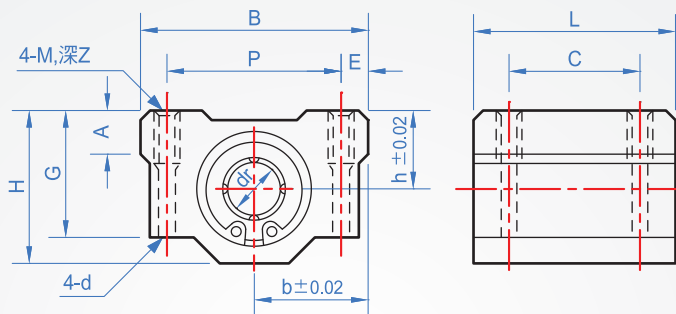


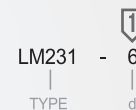
Linear bushing base

## LM231



Material	Finish
Aluminum alloy AL	Clear anodizing

How to order



Unit : mm

dr	h ±0.02	b ±0.02	A	B	C	E	G	H	L	P	M	Z	d	Rated load(kgf)		Weight (g)
														C(N)	CO(N)	
6	9	15	6	30	15	5	15	18	25	20	M4	8	3.4	20	27	34
8	11	17		34	18		18	22	30	24				27	41	56
10	13	20	8	40	21	6	21	26	35	28	M5	12	4.3	38	55	90
12	15	21		42	26	5.75	25	29	36	30.5				42	60	112
13	15	22		44	26	5.5	26	30	39	33				51	78	123
16	19	25	9	50	34	7	35	38.5	44	36	M6	18	5.2	78	119	189
20	21	27	11	54	40		36	42	50	40				88	140	237
25	26	38	12	76	50	11	41	51.5	67	54	M8	18	7	100	159	555
30	30	39	15	78	58	10	49	59.5	72	58				159	279	685

※Suggest using g6 tolerance guides.