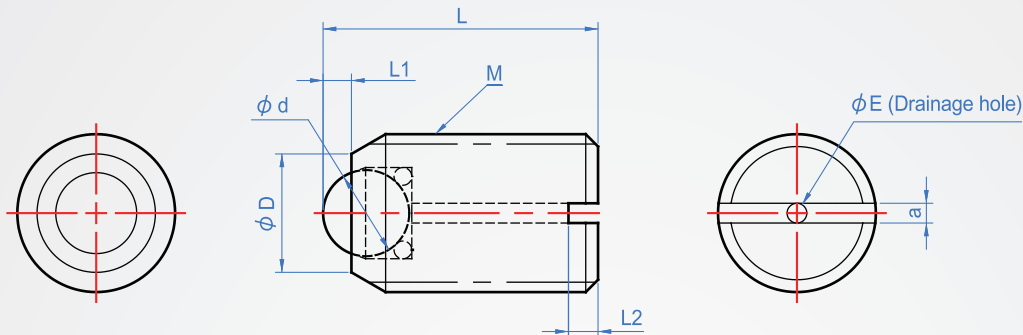


Set ball roller-PEEK

BR846

| Main part | Main ball | Auxiliary ball |
|-----------|-----------|-------------------|
| PEEK | PEEK | SUS440C HRC55~ |



How to order

BR846 - M16
 TYPE M

1

Unit : mm

| M Coarse thread | L | L1 | D | d | E | a | L2 | Load resistance N |
|--------------------|----|-----|----|------|-----|-----|-----|----------------------|
| M8 | 14 | 1.5 | 6 | 4.76 | 1.2 | 1.5 | 1.5 | 2 |
| M10 | 16 | 2 | 8 | 6.35 | 2.5 | 1.5 | 2 | 5 |
| M12 | 20 | 2.5 | 10 | 7.94 | 3 | 2 | 3 | 6 |
| M16 | 25 | 3 | 12 | 9.53 | 3.5 | 2 | 3 | 8 |

kgf=N×0.101972

Che Na

FAX 886-2688-3177

info@chena.com.tw

886-22688-3188
886-2688-3881~3No.21, Guangrong St. Shulin Dist.,
New Taipei City 238 Taiwan (R.O.C.)