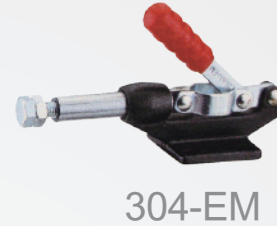
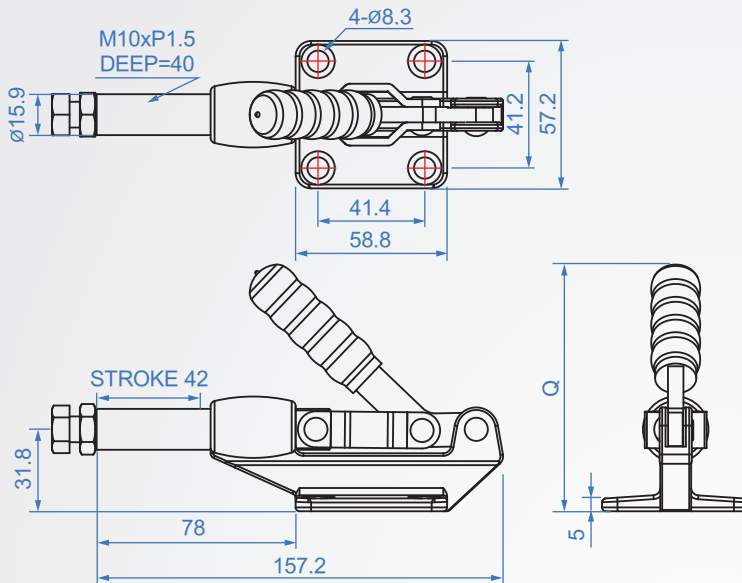


GH304-EM



GH304-EM

Material : SS400 Finish : Zinc plated

Unit : mm

| Code No. | 夾壓力(kg) | 重量(g) | Q | Hadle moving | Chuck moving | Front-end accessories |
|----------|---------|-------|-------|--------------|--------------|-----------------------|
| GH304-EM | 386 | 591 | 95.7 | 183° | 42 | NSA-105015 |
| GH305-EM | 386 | 591 | 124.9 | 183° | 42 | NSA-105015 |

1N=0.102kgf