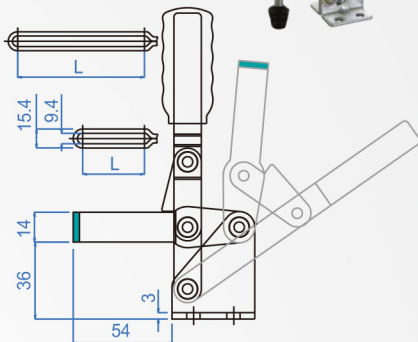
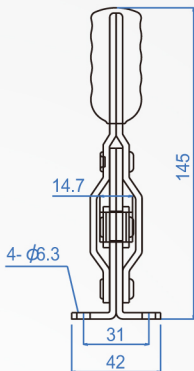


# GH101-D



## GH101-D

Material : SS400 Finish : Chrome plated

## GH101-E

Material : SUS304

Unit : mm

Code No.	Clamping force(kg)	weight (g)	L	Hadle moving	Chuck moving	Front-end accessories
GH101-D	180	330	32.7	60	100°	NFC-56212
GH101-E	180	360	82.7	60	100°	NFC-56212