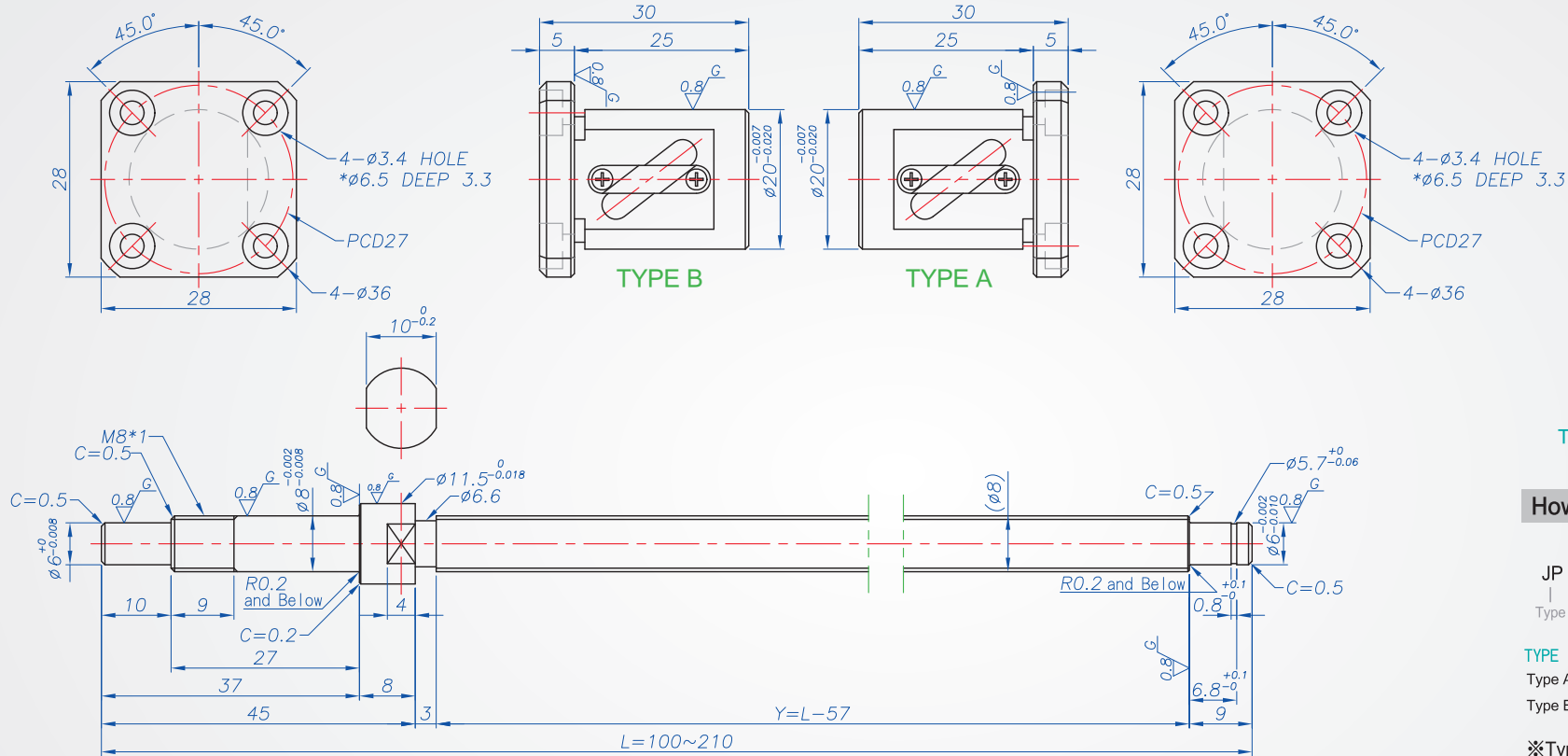


Shaft O.D. 08 Lead 02

JP

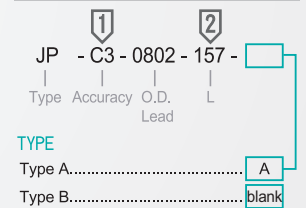
Name	Material	Heat treatment method	Hardness
Screw	AISI4150H	Charcoal burning	58~62HRC
Nut	SCM420H		

★Can be processed according to the customer's instructions for cold plating ® treatment.



Type B Type A

How to order



※Type B is standard Shipment.

Common Size			L Designated units 1mm	Y	Threaded direction	The number of cycles	Ball diameter	Axial clearance	Basic load rating		Interval ball	Lead Accuracy		Preload torque (N.cm)
Accuracy	O.D.	Lead							Ca(dynamic)N	Coa(Static state)N		±Ec	e300	
C3	08	02	100~240	L-57	Right	2.5curl 1Row	1.5875	0 Preload	1220N	1300N	-	0.010	0.008	0.3~2.0
C5			1950N						2600N	0.050		—	0.5 and below	
C7			100~210						—	—		—		

Che Na

FAX 886-2688-3177

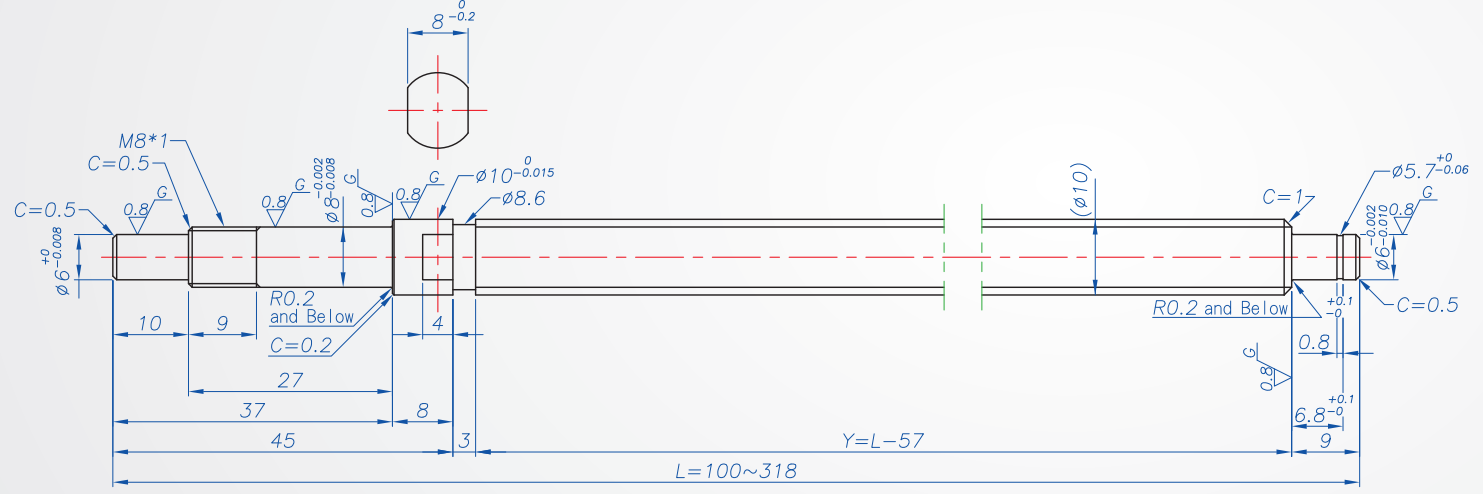
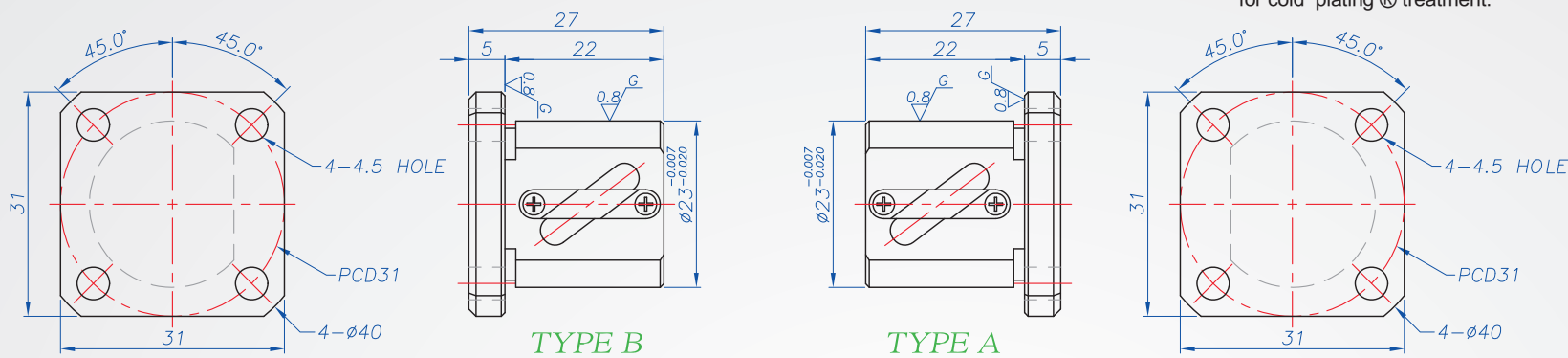
info@chena.com.tw

886-22688-3188
886-2688-3881~3

No.21, Guangrong St. Shulin Dist.,
New Taipei City 238 Taiwan (R.O.C.)

Name	Material	Heat treatment method	Hardness
Screw	AISI4150H	Charcoal burning	58~62HRC
Nut	SCM420H		

★Can be processed according to the customer's instructions for cold plating @ treatment.



How to order

1 JP - C5 - 1002 - 187 -

Type Accuracy O.D. L Lead

TYPE

Type A..... A

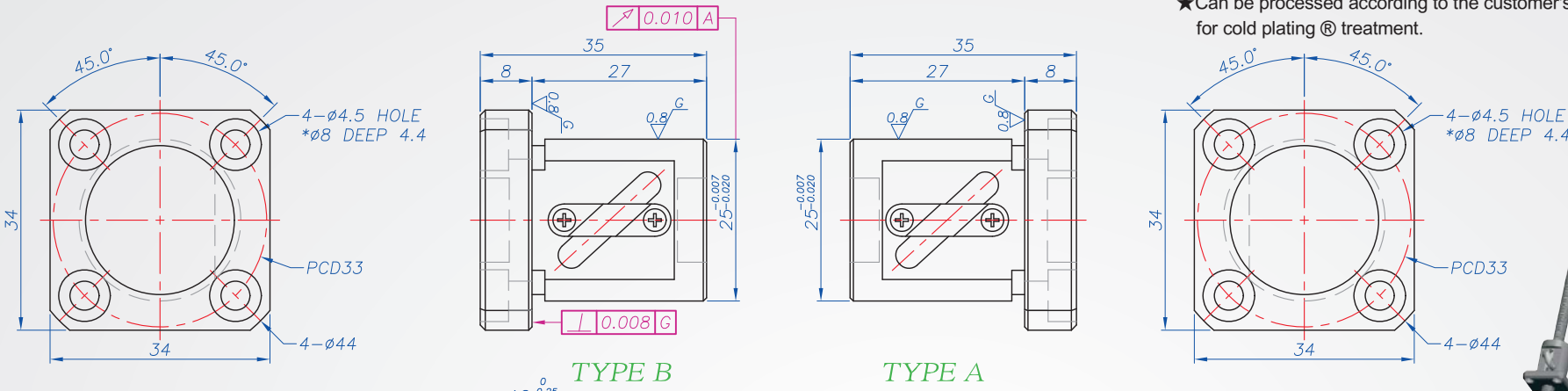
Type B..... blank

※Type B is standard Shipment.

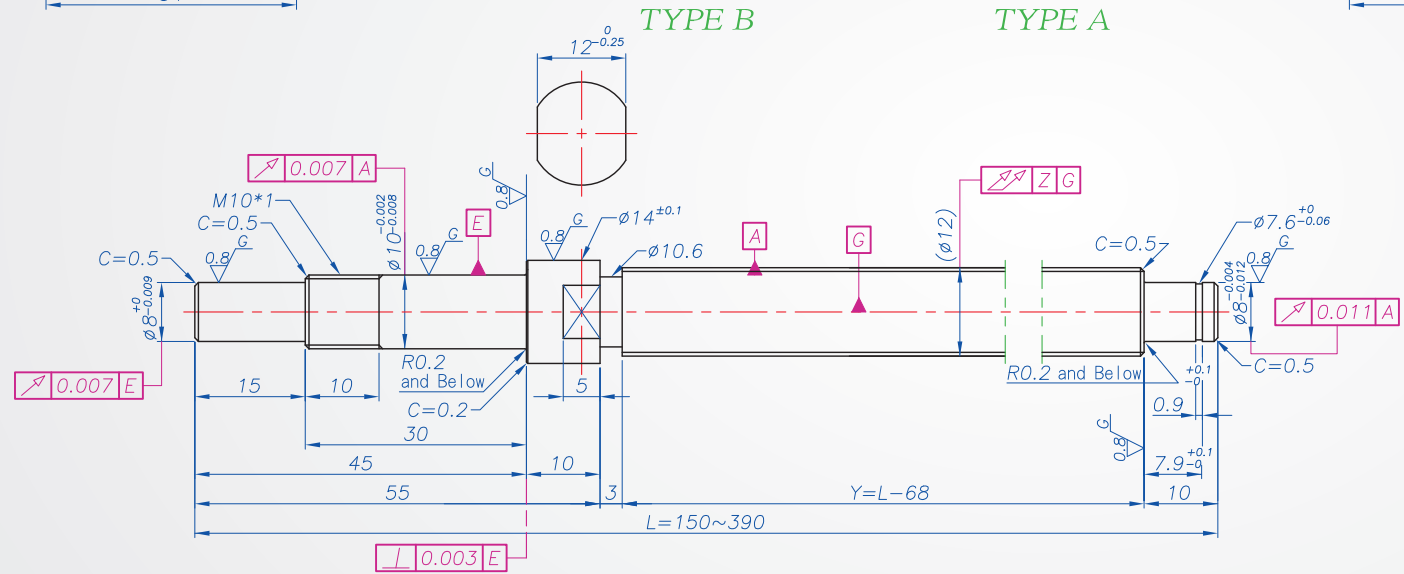
Common Size			L Designated units 1mm	Y	Threaded direction	The number of cycles	Ball diameter	Axial clearance	Basic load rating		Interval ball	Lead Accuracy		Preload torque (N.cm)
Accuracy	O.D.	Lead							Ca(dynamic)N	Coa(Static state)N		±Ec	e300	
C3	10	02	100~310	L-57	Right	2.5 curl 1 Row	1.5875	0 Preload	1410N	1650N	-	0.010	0.008	0.3~2.5
C5			~0.005					2250N	3300N	0.023		0.018	0.5 and below	
C7			~0.030					-	-	0.050		-	-	

Name	Material	Heat treatment method	Hardness
Screw	AISI4150H	Charcoal burning	58-62HRC
Nut	SCM420H		

★Can be processed according to the customer's instructions for cold plating ® treatment.



Type B Type A



How to order

1 JP - C3 - 1202 - 286 -
 Type Accuracy O.D. L
 Lead
 TYPE
 Type A..... A
 Type B..... blank

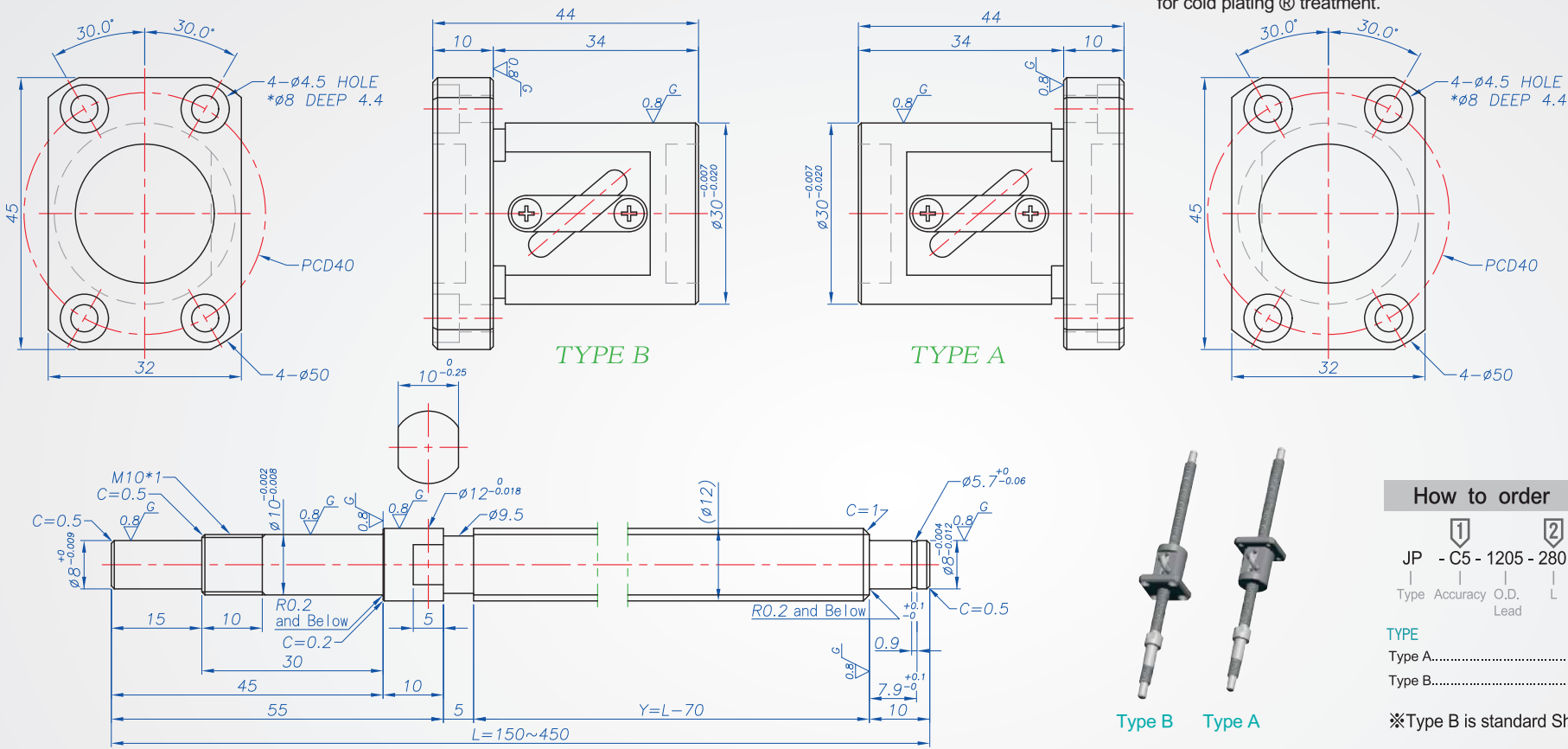
※Type B is standard Shipment.

Copyright © CHENA INDUSTRIAL CO.,LTD ALL RIGHTS RESERVED.

Common Size			L	Y	Threaded direction	The number of cycles	Ball diameter	Axial clearance	Basic load rating		Interval ball	Lead Accuracy		Preload torque (N.cm)
Accuracy	O.D.	Lead	Designated units 1mm						Ca(dynamic)N	Coa(Static state)N		±Ec	e300	
C3	12	02	150~390	L-68	Right	2.5 curl 1 Row	1.5875	0 Preload	1540N	2050N	-	0.012	0.008	0.4~3.2

Name	Material	Heat treatment method	Hardness
Screw	AISI4150H	Charcoal burning	58-62HRC
Nut	SCM420H		

★ Can be processed according to the customer's instructions for cold plating @ treatment.



How to order 🗣️

JP - C5 - 1205 - 280 - []

Type Accuracy O.D. L
Lead

TYPE
Type A..... []
Type B..... []

☒ Type B is standard Shipment.

Common Size			L Designated units 1mm	Y	Threaded direction	The number of cycles	Ball diameter	Axial clearance	Basic load rating		Interval ball	Lead Accuracy		Preload torque (N.cm)
Accuracy	O.D.	Lead							Ca(dynamic)N	Coa(Static state)N		±Ec	e300	
C3	12	05	150~440	L-70	Right	2.5 curl 1 Row	3.175	0 Preload	3740N	4900N	-	0.012	0.008	1.5~5.0
C5			150~450						5950N	9800N		0.023	0.018	1.0 and Below
C7			180~450						-	-		0.050	-	-

Shaft O.D. 15 Lead 05

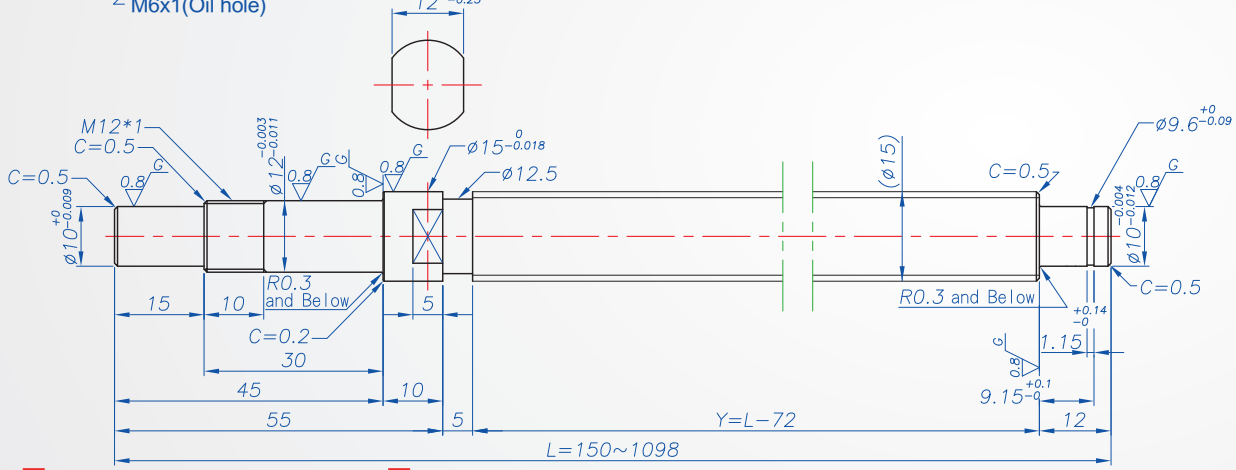
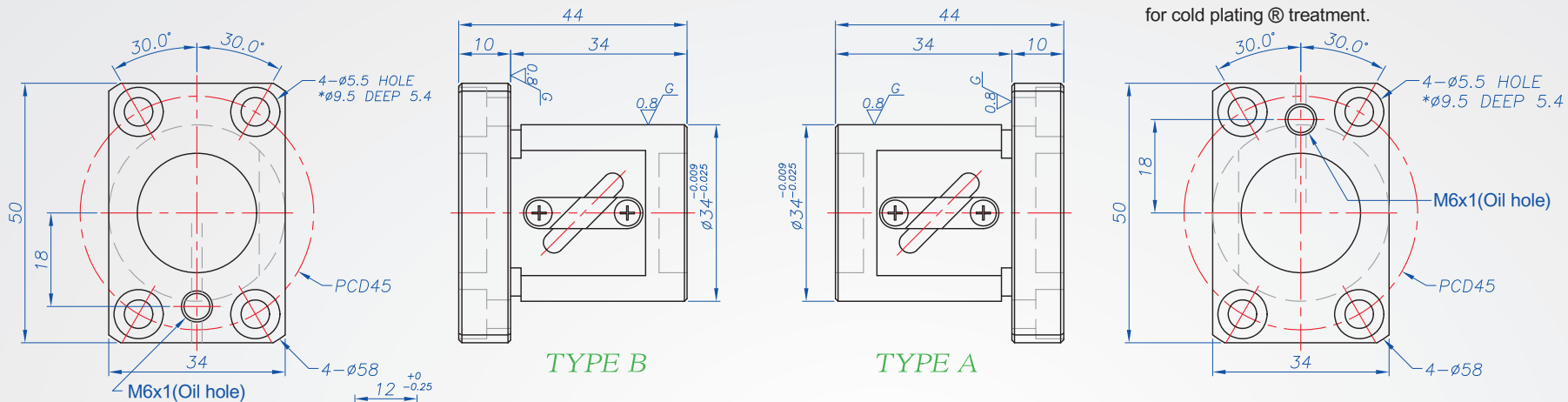
JP

Name	Material	Heat treatment method	Hardness
Screw	AISI4150H	Charcoal burning	58~62HRC
Nut	SCM420H		

★Can be processed according to the customer's instructions for cold plating @ treatment.



Precision Ball Screws



How to order

JP - C3 - 1505 - 472 -

Type Accuracy O.D. Lead

TYPE

Type A..... A

Type B..... blank

※Type B is standard Shipment.

Common Size			L Designated units 1mm	Y	Threaded direction	The number of cycles	Ball diameter	Axial clearance	Basic load rating		Interval ball	Lead Accuracy		Preload torque (N.cm)
Accuracy	O.D.	Lead							Ca(dynamic)N	Coa(Static state)N		±Ec	e300	
C3			150~600					0 Preload	4340N	6250N		0.013	0.008	1.5~6.0
C5	15	05	150~1100	L-72	Right	2.5 curl 1 Row	3.175	~0.005	6900N	12500N	-	0.023	0.018	2.0 and Below
C7								~0.030	4400N	7900N		0.050	-	-

Che Na

FAX 886-2688-3177

info@chena.com.tw

886-22688-3188
886-2688-3881~3

No.21, Guangrong St. Shulin Dist.,
New Taipei City 238 Taiwan (R.O.C.)

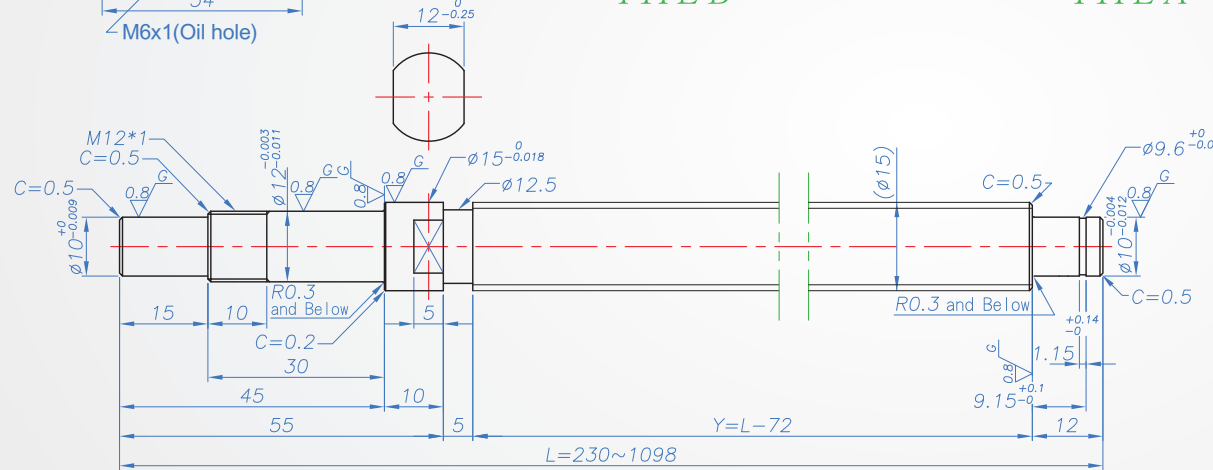
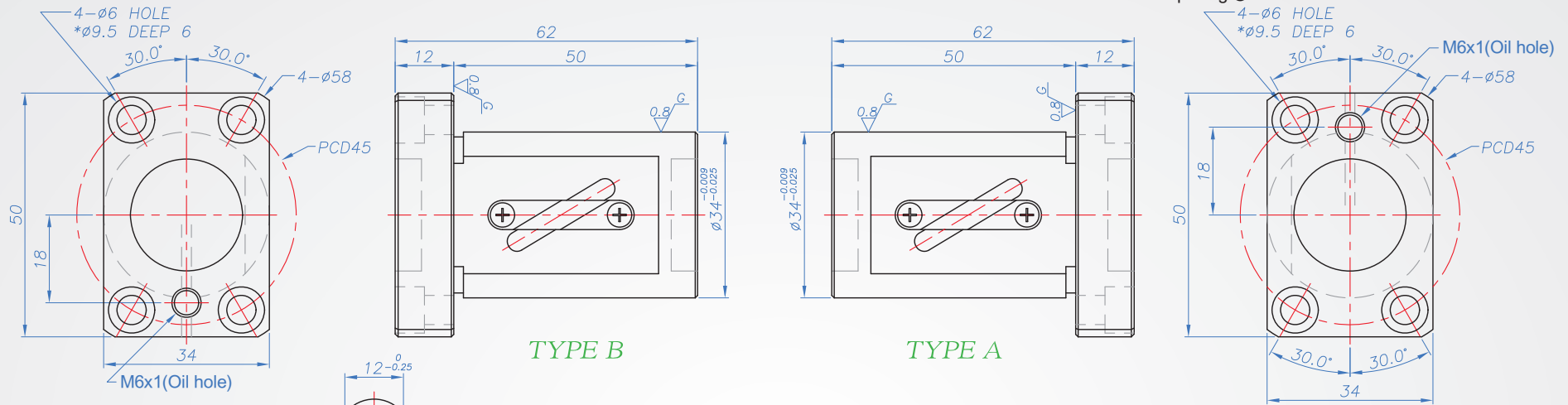
Copyright © CHENA INDUSTRIAL CO.,LTD ALL Rights Reserved.

Shaft O.D. 15 Lead 20

JP

Name	Material	Heat treatment method	Hardness
Screw	AISI4150H	Charcoal burning	58~62HRC
Nut	SCM420H		

★Can be processed according to the customer's instructions for cold plating @ treatment.



How to order

1
 JP - C7 - 1520 - 882 -

Type Accuracy O.D. Lead L

TYPE
 Type A..... A
 Type B..... blank

※Type B is standard Shipment.

Common Size			L Designated units 1mm	Y	Threaded direction	The number of cycles	Ball diameter	Axial clearance	Basic load rating		Interval ball	Lead Accuracy		Preload torque (N.cm)
Accuracy	O.D.	Lead							Ca(dynamic)N	Coa(Static state)N		±Ec	e300	
C5	15	20	200~1100	L-72	Right	1.5 curl 1 Row	3.175	~0.005	4400N	7900N	-	0.030	0.018	3.0 and Below
C7								~0.030				0.050	-	-

Che Na

FAX 886-2688-3177

info@chena.com.tw

886-22688-3188
886-2688-3881~3

No.21, Guangrong St. Shulin Dist.,
New Taipei City 238 Taiwan (R.O.C.)

Precision
Ball Screws

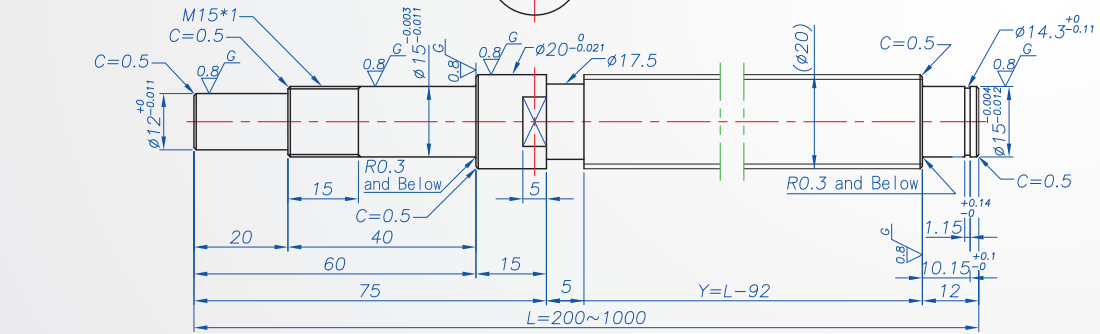
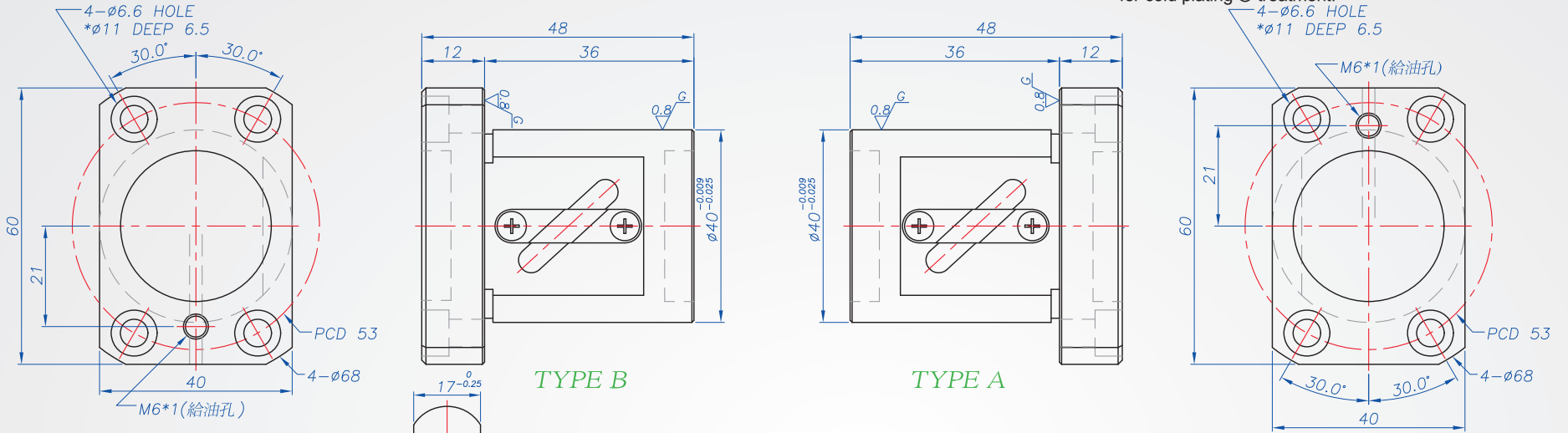
2

Shaft O.D. 20 Lead 05

JP

Name	Material	Heat treatment method	Hardness
Screw	AISI4150H	Charcoal burning	58-62HRC
Nut	SCM420H		

★Can be processed according to the customer's instructions for cold plating ® treatment.



How to order

1 JP - C5 - 2005 - 982 -
 Type Accuracy O.D. L
 Lead

2 TYPE
 Type A..... A
 Type B..... blank

※Type B is standard Shipment.

Copyright © CHENA INDUSTRIAL CO.,LTD ALL Rights Reserved.

2

Precision Ball Screws

Common Size			L	Y	Threaded direction	The number of cycles	Ball diameter	Axial clearance	Basic load rating		Interval ball	Lead Accuracy		Preload torque (N.cm)
Accuracy	O.D.	Lead	Designated units 1mm						Ca(dynamic)N	Coa(Static state)N		±Ec	e300	
C5	20	05	200~1100	L-92	Right	2.5 curl 1 Row	3.175	~0.005	8350N	17500N	-	0.030	0.023	6.0 and Below
C7								~0.030				0.050	-	-

Che Na

FAX 886-2688-3177

info@chena.com.tw

886-22688-3188
886-2688-3881~3

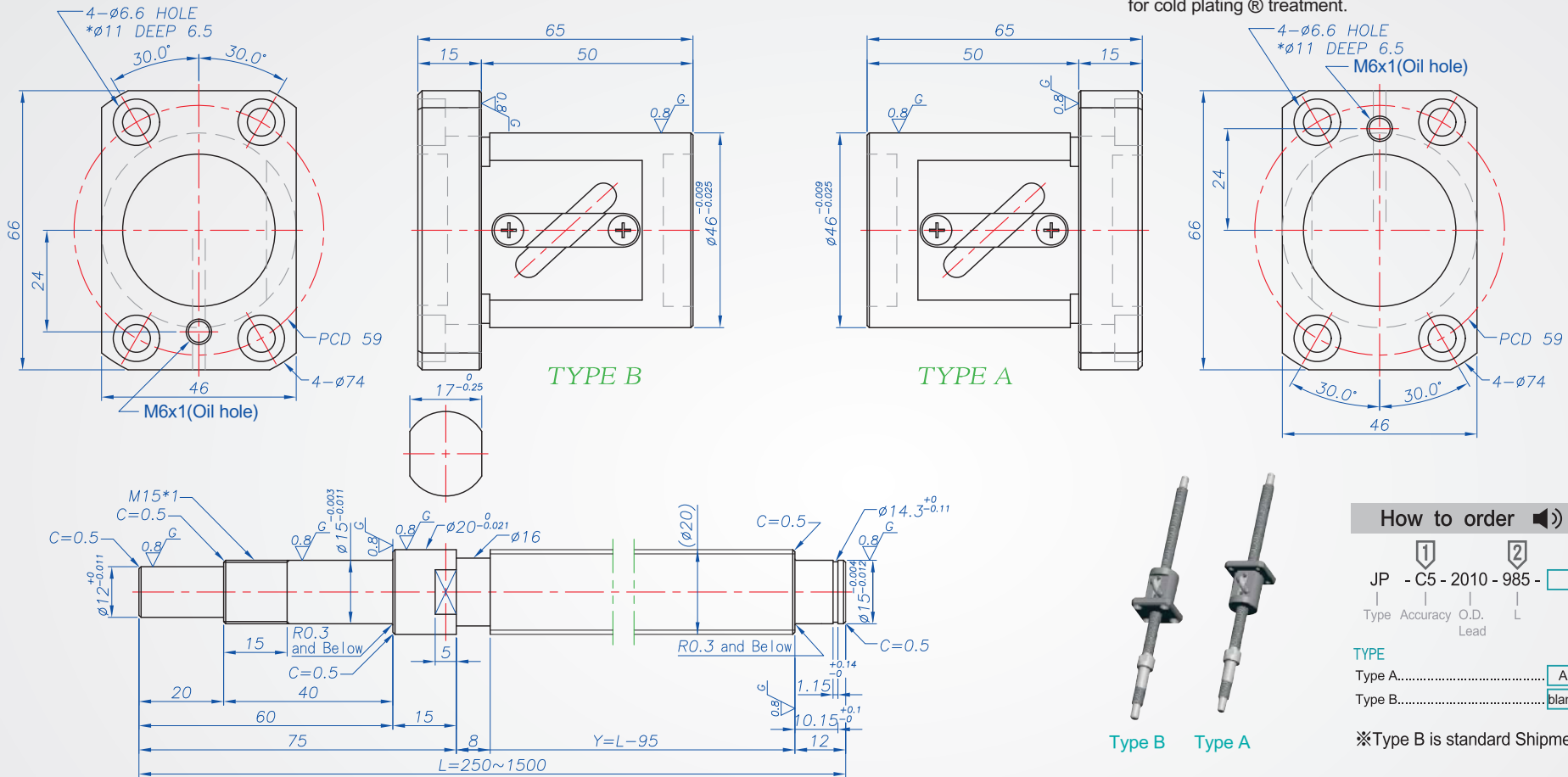
No.21, Guangrong St. Shulin Dist.,
New Taipei City 238 Taiwan (R.O.C.)

Shaft O.D. 20 Lead 10

JP

Name	Material	Heat treatment method	Hardness
Screw	AISI4150H	Charcoal burning	58-62HRC
Nut	SCM420H		

★ Can be processed according to the customer's instructions for cold plating ® treatment.



How to order

JP - C5 - 2010 - 985 -

Type Accuracy O.D. Lead L

TYPE
Type A..... A
Type B..... blank

※Type B is standard Shipment.

Copyright © CHENA INDUSTRIAL CO.,LTD ALL RIGHTS RESERVED.

Common Size			L Designated units 1mm	Y	Threaded direction	The number of cycles	Ball diameter	Axial clearance	Basic load rating		Interval ball	Lead Accuracy		Preload torque (N.cm)
Accuracy	O.D.	Lead							Ca(dynamic)N	Coa(Static state)N		±Ec	e300	
C5	20	10	200~1100	L-95	Right	2.5 curl 1 Row	4.7625	~0.005	13500N	25100N	-	0.030	0.018	4.0 and Below
C7								~0.030				0.050	-	

Che Na

FAX 886-2688-3177

info@chena.com.tw

886-22688-3188
886-2688-3881~3

No.21, Guangrong St. Shulin Dist.,
New Taipei City 238 Taiwan (R.O.C.)

Precision
Ball Screws

2

Shaft O.D. 20 Lead 20

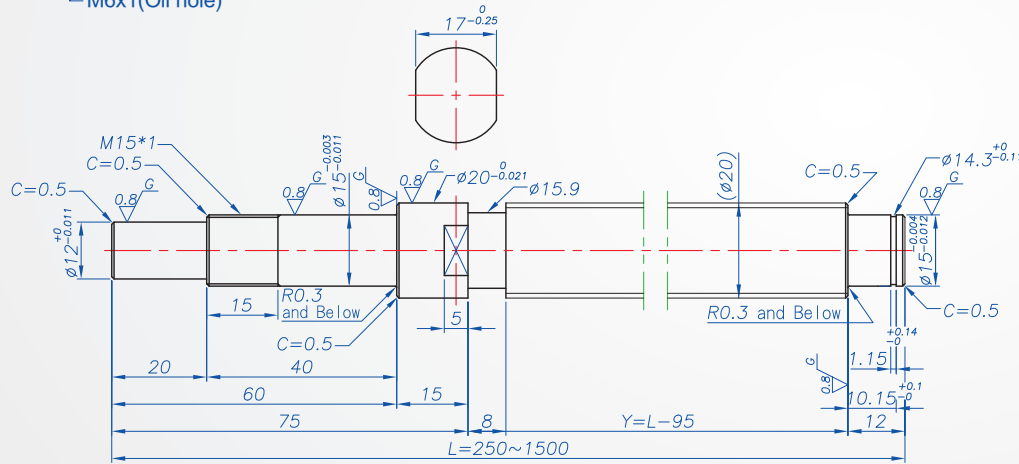
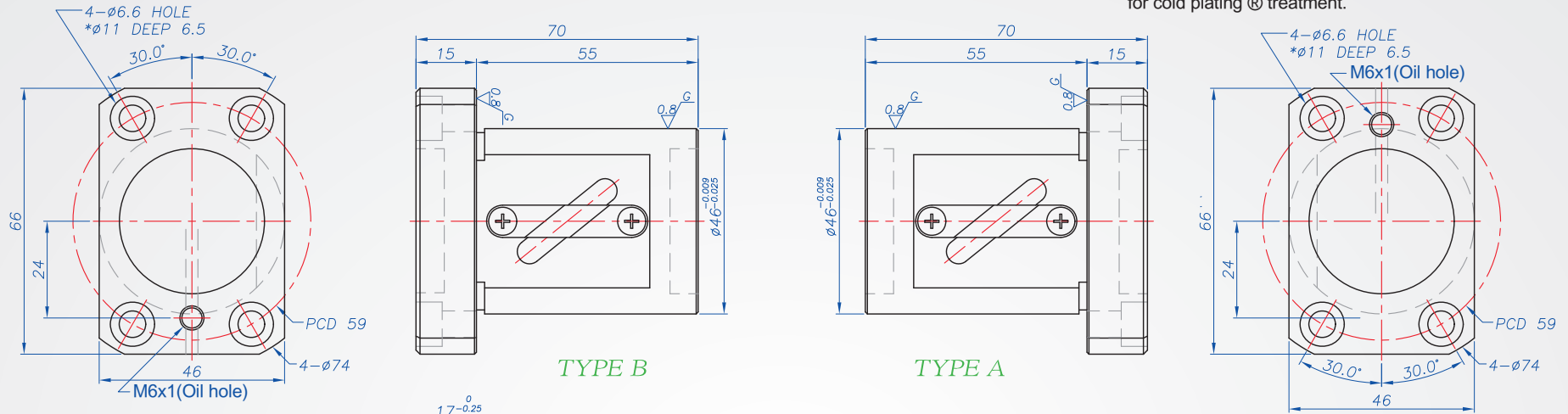
JP

Name	Material	Heat treatment method	Hardness
Screw	AISI4150H	Charcoal burning	58~62HRC
Nut	SCM420H		

★Can be processed according to the customer's instructions for cold plating @ treatment.

Precision Ball Screws

2



How to order

JP - C7 - 2020 - 985 - []

Type Accuracy O.D. Lead

TYPE

Type A..... [A]

Type B..... [blank]

※Type B is standard Shipment.

Common Size			L Designated units 1mm	Y	Threaded direction	The number of cycles	Ball diameter	Axial clearance	Basic load rating		Interval ball	Lead Accuracy		Preload torque (N.cm)
Accuracy	O.D.	Lead							Ca(dynamic)N	Coa(Static state)N		±Ec	e300	
C5	20	20	200~1100	L-95	Right	1.5 curl 1 Row	4.7625	~0.005	9200N	16200N	-	0.040	0.018	4.0 and Below
C7								~0.030				0.050	-	-

Che Na

FAX 886-2688-3177

info@chena.com.tw

886-22688-3188
886-2688-3881~3

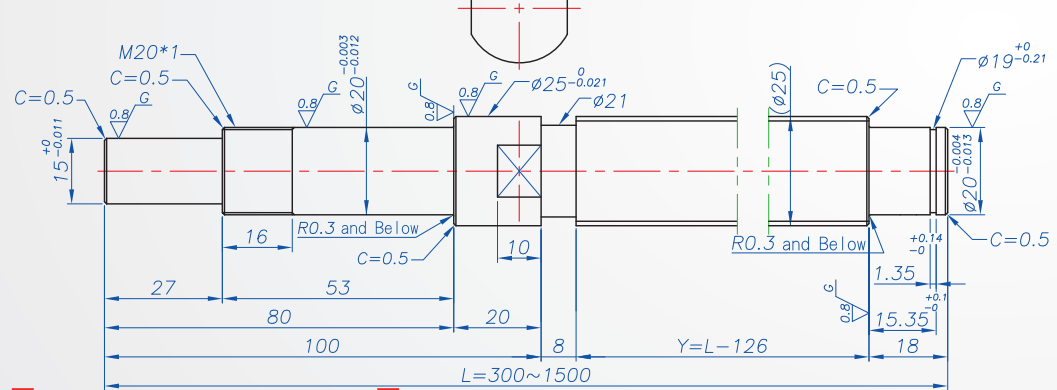
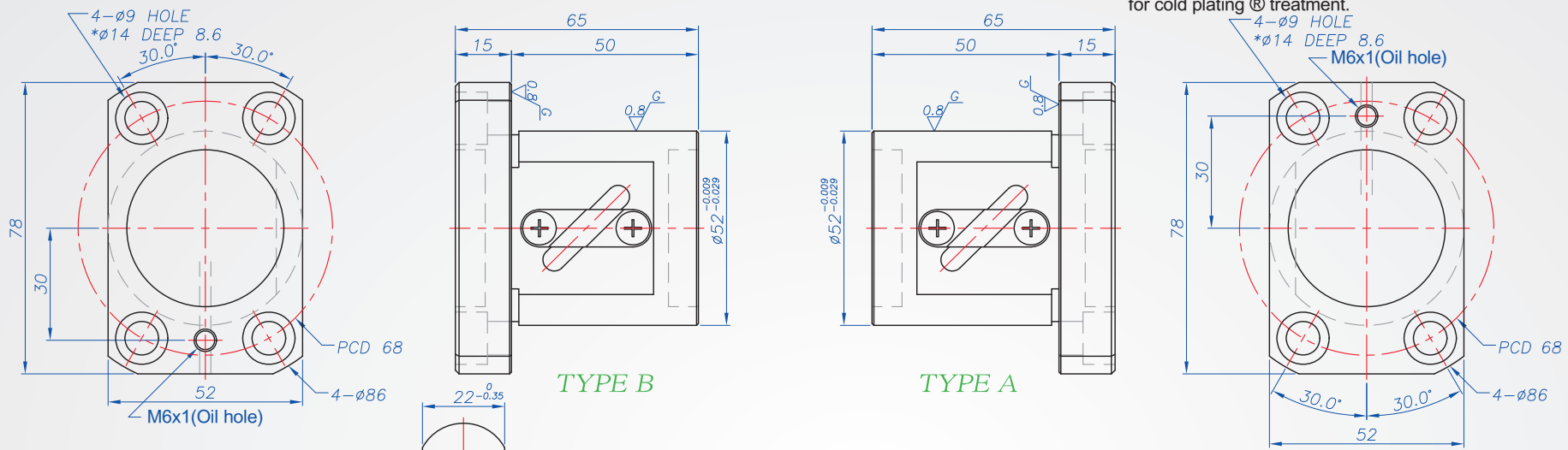
No.21, Guangrong St. Shulin Dist.,
New Taipei City 238 Taiwan (R.O.C.)

Shaft O.D. 25 Lead 10

JP

Name	Material	Heat treatment method	Hardness
Screw	AISI4150H	Charcoal burning	58-62HRC
Nut	SCM420H		

★Can be processed according to the customer's instructions for cold plating® treatment.



How to order

JP - C5 - 2510 - 866 -

Type Accuracy O.D. Lead L

TYPE

Type A..... A

Type B..... blank

※Type B is standard Shipment.

1 2 Unit : μm

Common Size			L Designated units 1mm	Y	Threaded direction	The number of cycles	Ball diameter	Axial clearance	Basic load rating		Interval ball	Lead Accuracy		Preload torque (N.cm)
Accuracy	O.D.	Lead							Ca(dynamic)N	Coa(Static state)N		±Ec	e300	
C5	25	10	300~1100	L-126	Right	2.5 curl 1 Row	4.7625	~0.005	16100N	33400N	-	0.040	0.018	6.0 and Below
C7								~0.030				0.050	-	

Che Na

FAX 886-2688-3177

info@chena.com.tw

886-22688-3188
886-2688-3881~3

No.21, Guangrong St. Shulin Dist.,
New Taipei City 238 Taiwan (R.O.C.)

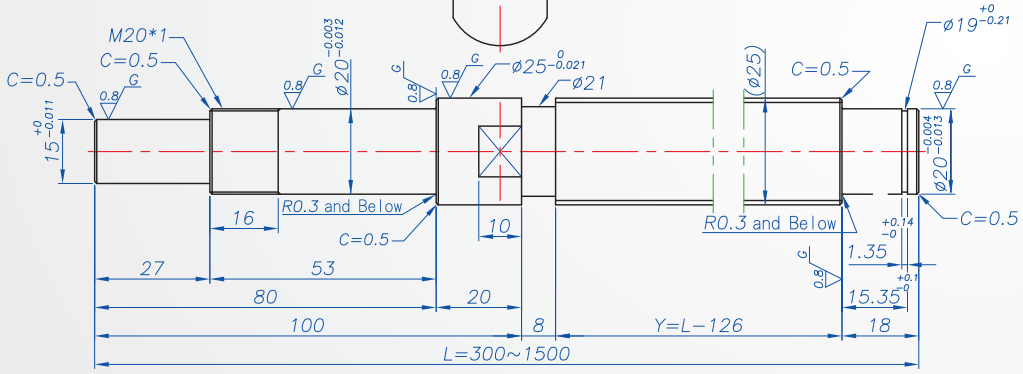
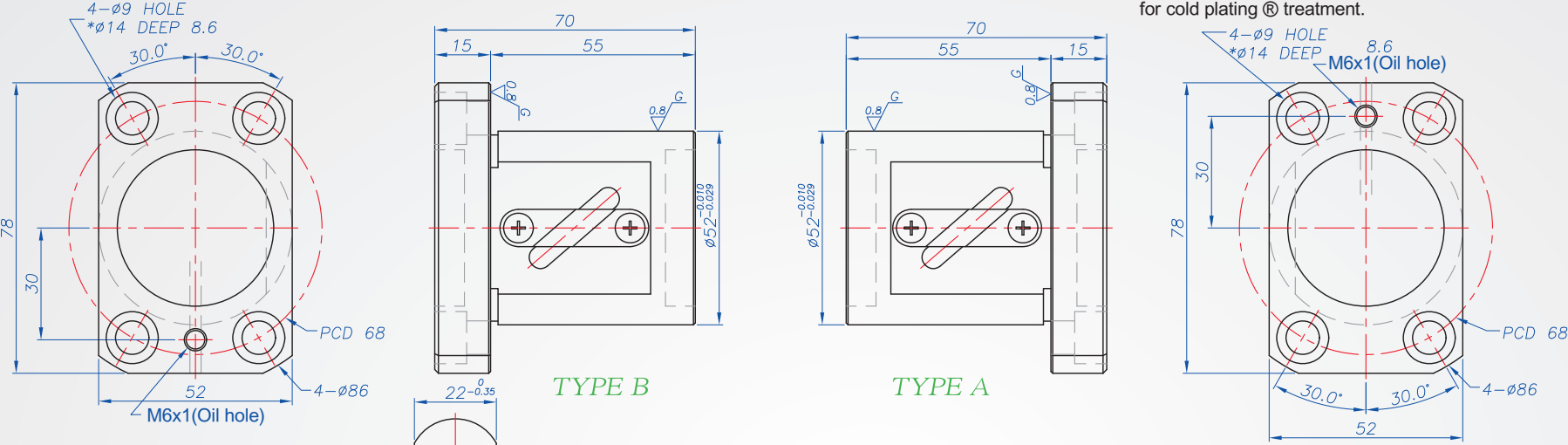
Precision
Ball Screws

2

Copyright © CHENA INDUSTRIAL CO.,LTD ALL Rights Reserved.

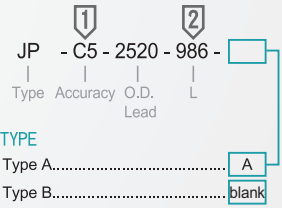
Name	Material	Heat treatment method	Hardness
Screw	AISI4150H	Charcoal burning	58-62HRC
Nut	SCM420H		

★Can be processed according to the customer's instructions for cold plating® treatment.



Type B Type A

How to order



※Type B is standard Shipment.

Copyright © CHENA INDUSTRIAL CO.,LTD ALL RIGHTS RESERVED.

Common Size		L Designated units 1mm	Y	Threaded direction	The number of cycles	Ball diameter	Axial clearance	Basic load rating		Interval ball	Lead Accuracy		Preload torque (N.cm)
Accuracy	O.D.							Lead	Ca(dynamic)N		Coa(Static state)N	±Ec	
C5	25	20	300~1100	L-126	Right	1.5 curl 1 Row	4.7625	10400N	20100N	-	0.040	0.018	6.0 and Below
C7											0.050	-	-

Unit : μm