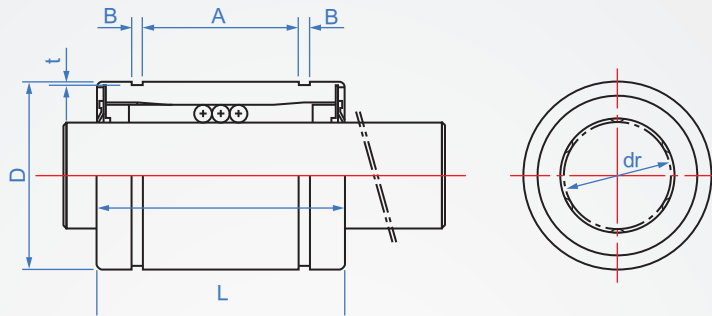


Ball lining
LM228

| Outer tube | Ball | hardness | Lining | Buckle |
|------------|------|----------|----------------|------------|
| SUJ2 | SUJ2 | HRC58 | Aluminum alloy | SK (Black) |

※Operating temperature : -20~110°C



How to order

LM228 TYPE 10 dr

| Lining aperture | | Max. stroke | L | Outer diameter | | A | B | t | Basic load rating | | Weight (g) | Price | |
|-----------------|-----------|-------------|----|----------------|-------------|------|-----|-----|-------------------|------------|------------|-------|--|
| dr | Tolerance | | | D | Tolerance | | | | C(action)N | Co(still)N | | | |
| 8 | +0.022 | 24 | 24 | 15 | 0 -0.011 | 17.1 | 1.5 | 0.5 | 343 | 245 | 15.6 | | |
| 10 | +0.013 | | | 19 | | 22.7 | | | 637 | 461 | 28.8 | | |
| 12 | +0.027 | 32 | 32 | 23 | 0 -0.013 | 24.5 | | | 1070 | 813 | 42 | | |
| 16 | +0.016 | 40 | | 28 | | 29.1 | | | 1180 | 990 | 71 | | |
| 20 | +0.033 | 50 | 45 | 32 | 0 -0.016 | 35.8 | 2 | 0.7 | 1260 | 1170 | 99 | | |
| 25 | +0.020 | | | 37 | | | | | 1330 | 1330 | 117 | | |

Unit: mm

Copyright © CHENA INDUSTRIAL CO.,LTD ALL RIGHTS Reserved.

Che Na

FAX 886-2688-3177

info@chena.com.tw

886-22688-3188
886-2688-3881~3

No.21, Guangrong St. Shulin Dist.,
New Taipei City 238 Taiwan (R.O.C.)