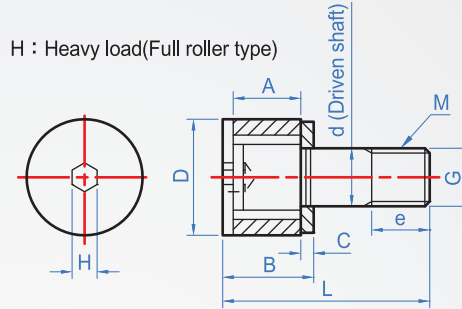
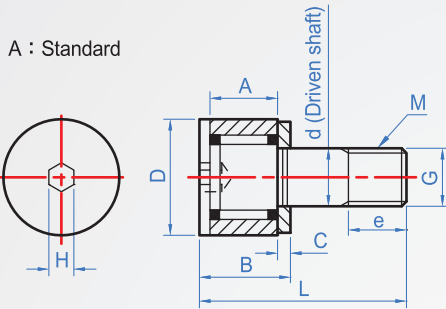


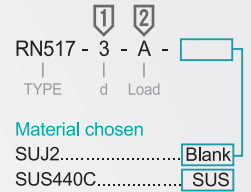
Cam Bearings-Mini  
**RN517**



Material	Operating temperature
SUJ2	110°C and below
SUS440C	



How to order



**Sealed Grease** About sealed grease bearing and the operating temperature range is expressed as follows:

Item	Nature	
Thickener	Lithium soap	
Exterior/Hue	Creamy/Amber	
Base oil type	Mineral oil	
Dynamic viscosity	40°C mm <sup>2</sup> /S	130
Consistency	Do not mix	272
	Mix	273
Dropping Point	°C	182
Oil separation	100°CX24h%	2.9
Oxidation stability	99°CX100h Mpa	0.034
Water penetration	38°CX1h%	2.2
ASTM Antitrust	1	

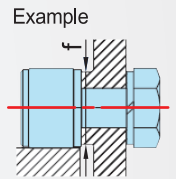
**Structure and feature**

Effectively increase the load area is the biggest goal of this bearing series, therefore, the design of narrow radial clearance and ease the impact load to stabilize prolong life.

Flange side included ultrafine needle bearings, reduce the coefficient of friction because of outer rotation, belong rotary excellent performance bearings.

Cam structure or linear motion driven use, the accuracy of which has a high rigidity and stability, it can be widely used in work machinery and industrial machinery arm, etc.

(RN517-SUS) Mini cam bearings due to holder \ plates \ needle \ cylindrical outer ring and screw nut use stainless steel, it has excellent corrosion resistance, applicable to on-oil or water mist splashes and clean room.



d	Load	SUJ2 Bearing steel performance value				SUS440C Stainless steel performance value				Mounting min. f
		Basic rated load		Max. allowable		Basic rated load		Max. allowable		
		C Motion(N)	Cor Motionless(N)	Load(N)	Torque(N · cm)	C Motion(N)	Cor Motionless(N)	Load(N)	Torque(N · cm)	
		unit : mm								
2.5	A - Standard	428	351	351	18.7	342	281	281	18.7	4.8
	H - Heavy	1000	1080	360		800	862	360		
3	A - Standard	629	611	484	33.5	504	488	484	33.5	5.8
	H - Heavy	1420	1730			1140	1430			
4	A - Standard	1120	1120	919	77.7	897	894	894	77.7	7.7
	H - Heavy	2370	3000			1900	2400			
5	A - Standard	1570	1850	1570	158	1250	1480	1480	158	9.6
	H - Heavy	3180	4700			2540	3760			
6	A - Standard	2090	2200	2150	268	1670	1760	1760	268	11.6
	H - Heavy	4610	6250			3690	5000			

Main dimension										unit : mm
d	h6 Tolerance	D	A	B	C	H	L	M x Pitch	e	Weight (g)
2.5	+0 -0.006	5	3	4.5	0.7	0.9	9.5	M2.5 x 0.45	2.5	1
3		6	4	5.5		1.3	11.5	M3 x 0.45	3	2
4	+0 -0.008	8	5	7	1	1.5	15	M4 x 0.7	4	4
5		10	6	8		2	18	M5 x 0.8	5	7
6		12	7	9.5	1.2	2.5	21.5	M6 x 1.0	6	13