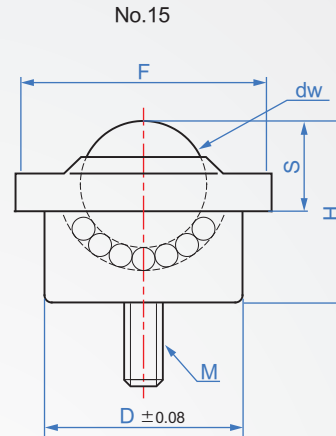
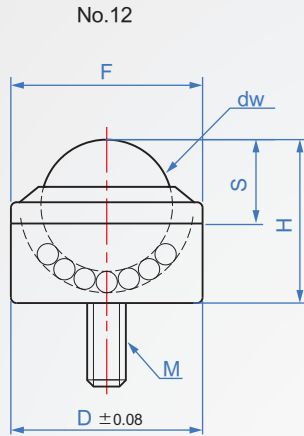


鐵殼帶牙

## BR817-M

Main bead	Auxiliary beads	Ontology
ST-Steel ball	Steel	Steel plate Galvanized



How to order

1  
BR817-M - 15  
TYPE No.



unit : mm

No.	dw	M-L	D	F	S	Tolerance	H	Load(N)	Weight
12	1/2"	M8-15	22	22	6	+0.1	17	200	35
15	5/8"	M8-18	24	31	9.5	+0.2	21	600	60

kg=F×N×0.101972