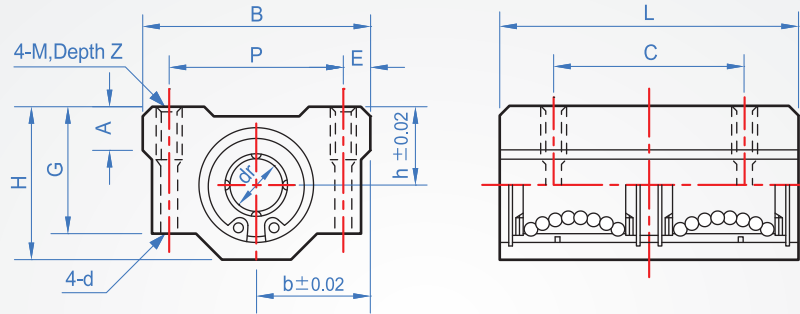


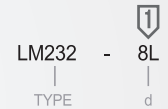
Linear bushing base

LM232 Long length



Material	Finish
Aluminum alloy AL	Clear anodizing

How to order



Unit : mm

D	h ±0.02	b ±0.02	A	B	C	E	G	H	L	P	M	Z	d	Rated load(kgf)		Weight (g)
														C(N)	Co(N)	
8L	11	17	6	34	42	5	18	22	58	24	M4	8	3.4	42	82	94
10L	13	20		40	46	6	21	26	68	28				M5	12	4.3
12L	15	21	8	42	50	5.75	25	29	70	30.5	M5	12	4.3			
13L		22		44		5.5	26	30	75	33				82	157	245
16L	19	25	9	50	60	7	35	38.5	85	36	M6	12	5.2	125	238	376
20L	21	27	11	54	70		36	42	96	40				M6	12	5.2
25L	26	38	12	76	100	11	41	51.5	130	54	M8	18	7	159	318	1115
30L	30	39	15	78	110	10	49	59.5	140	58				M8	18	7

※Suggest using g6 tolerance guides.