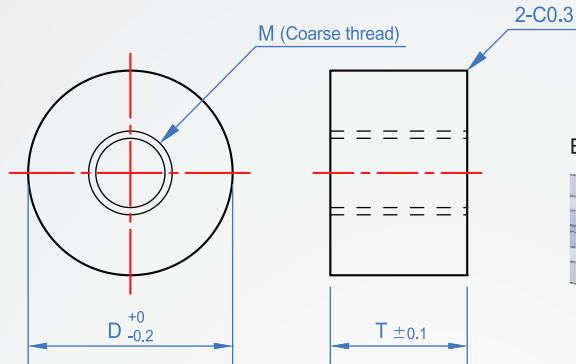
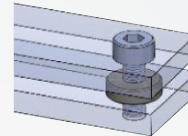


Washer with female thread

WA793



Example



| Material | Finish |
|----------|--------------------|
| S45C | Electroless nickel |
| SUS304 | - |

How to order

WA793 - M2 - 10 - 3 -

TYPE M D T

Material chosen

S45C+Electroless nickel..... **TN**

SUS304..... **S304**

| 1 M | | | | | | | | | | 2 D | | | | | | 3 T | | | | | | Unit : mm |
|-----|----|----|----|----|----|-----|-----|-----|-----|-----|---|---|---|----|----|-----|--|--|--|--|--|-----------|
| M2 | M3 | M4 | M5 | M6 | M8 | M10 | M12 | M16 | M20 | D | 3 | 5 | 8 | 10 | 15 | 20 | | | | | | |
| ● | ● | ● | ● | ● | ● | | | | | 10 | ● | ● | ● | ● | | | | | | | | |
| | | ● | ● | ● | ● | | | | | 12 | | ● | ● | ● | ● | | | | | | | |
| | | | ● | ● | ● | ● | | | | 16 | | ● | ● | ● | ● | | | | | | | |
| | | | | ● | ● | ● | ● | | | 20 | | | ● | ● | ● | ● | | | | | | |
| | | | | | ● | ● | ● | ● | | 30 | | | | ● | ● | ● | | | | | | |
| | | | | | | ● | ● | ● | ● | 40 | | | | ● | ● | ● | | | | | | |
| | | | | | | | | ● | ● | 50 | | | | | ● | ● | | | | | | |
| | | | | | | | | ● | ● | 60 | | | | | ● | ● | | | | | | |

Copyright © CHENA INDUSTRIAL CO., LTD ALL RIGHTS RESERVED.

Che Na

FAX 886-2688-3177

info@chena.com.tw

886-22688-3188
886-2688-3881~3

No.21, Guangrong St. Shulin Dist.,
New Taipei City 238 Taiwan (R.O.C.)