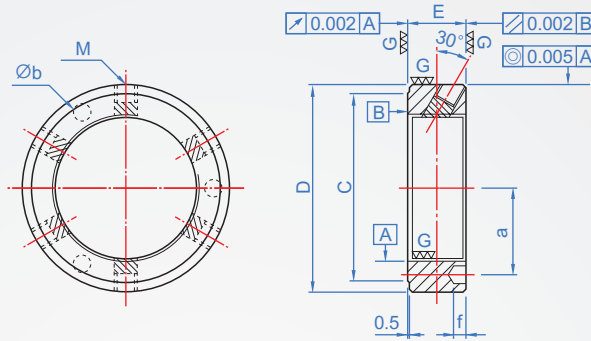


Precision Lock Nuts

SBL-A

Superfine Balanced Locknuts



How to order

SBL-A - M20 - 1.5

1

2

Unit : mm

Tread	Pitch	D	C	E	a	Ø b	f	M	Locking torque max. Nm	Loosening torque Nm
M20	1	38	33	16	13	4.3	5	M5x0.8	4.5	28.9
M20	1.5							M6x1.0		
M25	1.5	45	40	18	16	4.3	5	M6x1.0	8	30.4
M30	1.5									
M35	1.5	52	47	20	19	4.3	5	M8x1.25	18	39.2
M40	1.5									
M45	1.5	65	59	20	22	4.3	5	M8x1.25	18	46.1
M50	1.5									
M55	2	75	68	22	33	5.3	6	M8x1.25	18	70.6
M60	2									
M65	2	85	78	24	35	5.3	6	M8x1.25	18	88.2
M70	2									
M75	2	98	90	24	43	5.3	6	M8x1.25	18	98
M80	2									
M85	2	110	102	26	46	5.3	6	M8x1.25	18	127.5
M90	2									
M95	2	125	113	26	55	6.4	7	M10x1.5	35	147.1
M100	2									
M105	2	140	125	28	61	6.4	7	M10x1.5	35	152
M110	2									
M115	2	150	137	30	66	6.4	7	M10x1.5	35	156.9
M120	2									
M125	2	160	147	30	71	6.4	7	M10x1.5	35	176.5
M130	2									
M135	2	175	160	32	78	6.4	7	M10x1.5	35	186.3
M140	2									
M145	2	190	175	32	84	6.4	7	M10x1.5	35	201
M150	2									
		195	180		86					220.6

※Lock screws intersect at a 30° angle. Superior to traditional locknuts with only 3 lock screws, the SBL-A employ 6 lock screws to the axis. Perfect mesh. Precision and balanced compression. Zero loosening under any load or speed. Inner threads, outer skirts, clamping and trailing rims are all precision ground, minimizing noise and vibration.

※The data is not as good as it is available. Please contact CHENA for the remaining dimensions.