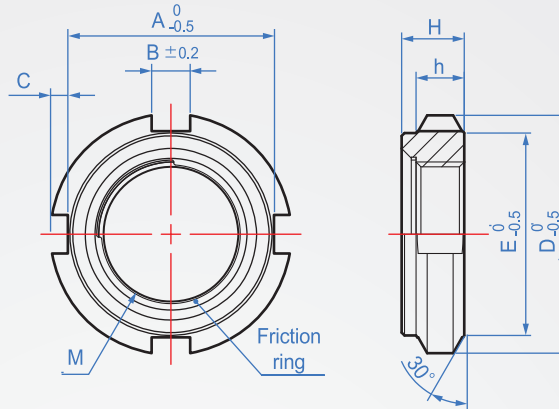


Torque flange nut
RN532
Friction ring



Material	Friction ring
Quite SS400	SUS301
SUS304	

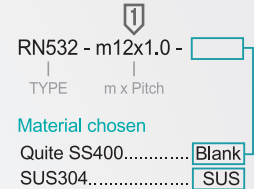
Feature

Self-locking lock nut locking system to install special spring steel ring according to engineering principles, when using a spring steel ring natural nip pressure on the screw groove, shockproof, anti-loosening effect one hundred percent and it will not affect the locking screw and spring steel ring.

Operating temperature

Heating at a temperature change from -30 °C to + 300 °C and immersed in a variety of oils(gasoline, oil, alcohol), etc. will not affect its lock.

How to order



Unit :mm

m x Pitch	D	A	E	C	B	H	Tolerance	h	Quality (g)	Suitable hook spanner			
m10 x 0.75	18	14.4	13	1.8	3	5.2	±0.3	4	7	K1			
m12 x 1.0	22	18.4	17			5.4			7.5				
m15 x 1.0	25	21.4	21		4	6.5			±0.5	5	10	K2	
m17 x 1.0	28	24.2	24	6.4		14							
m20 x 1.0	32	28.4	26	1.8		7.7	±0.8	6			22		K3
m25 x 1.5	38	34	32	2	5	9.1			7	35	K4		
m30 x 1.5	45	41	38			48				K5			
m35 x 1.5	52	48	44			75	K6						
m40 x 1.5	58	53	50	2.5	6	10.2		8	75		K6		
m45 x 1.5	65	60	56			11.2			9	98		10	140
m50 x 1.5	70	65	61			12.5	11			167			11
				13.5	±1.0								

©If need above m50~ dimension, welcome to contact ChaNa and order.