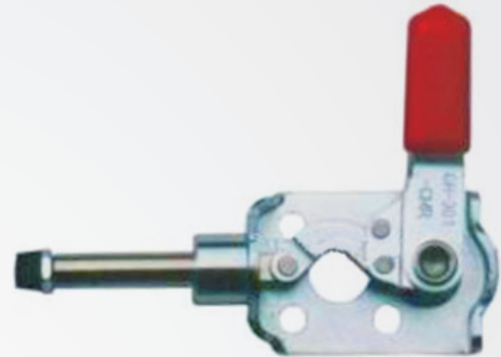
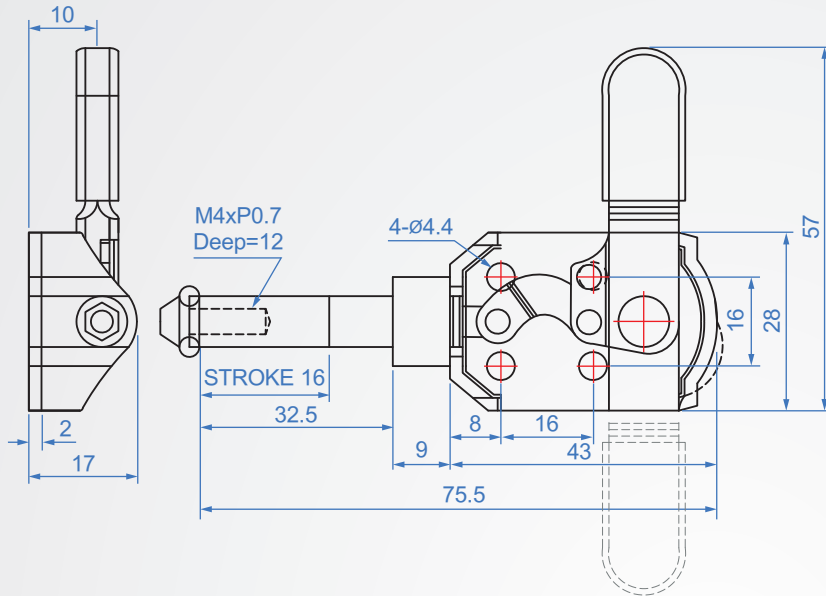


GH301-CMR



GH301-CMR

Material : SS400 Finish : Zinc plated

Unit : mm

Code No.	Clamping force(kg)	weight (g)	Hadle moving	Chuck moving	Front-end accessories
GH301-CMR	50	65	180°	16	NSA-185025