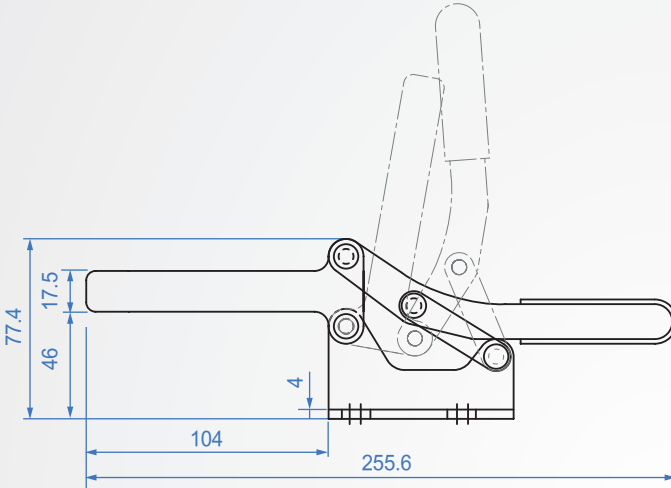
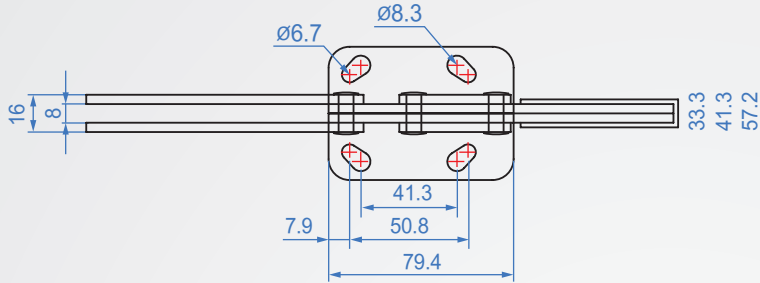


## GH22235



### GH22235

Material : SS400 Finish : Zinc plated

Unit : mm

Code No.	Clamping force(kg)	weight (g)	Hadle moving	Chuck moving	Front-end accessories
GH22235	273	630	84°	90°	NFC-56212